

0CF50-M00110EN

Introduction

1.This parts catalog is a first edition of the SD25 sail-drive.

	Date of issue	Remarks
First edition	Oct., 2014	

2.This parts catalog does not contain the technical data needed for maintenance service.

3.The illustrations used in this parts catalog have been simplified for clarity.

4.The contents of this parts catalog are subject to change without notice.

5.Be sure to use only Yanmar genuine parts for repairs.If imitation parts are used, it may cause engine defects.

Contents

OCF50-M00110

Fig. No. Fig. Name

OUTBOARD DRIVE

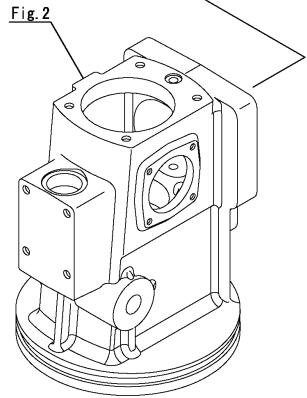
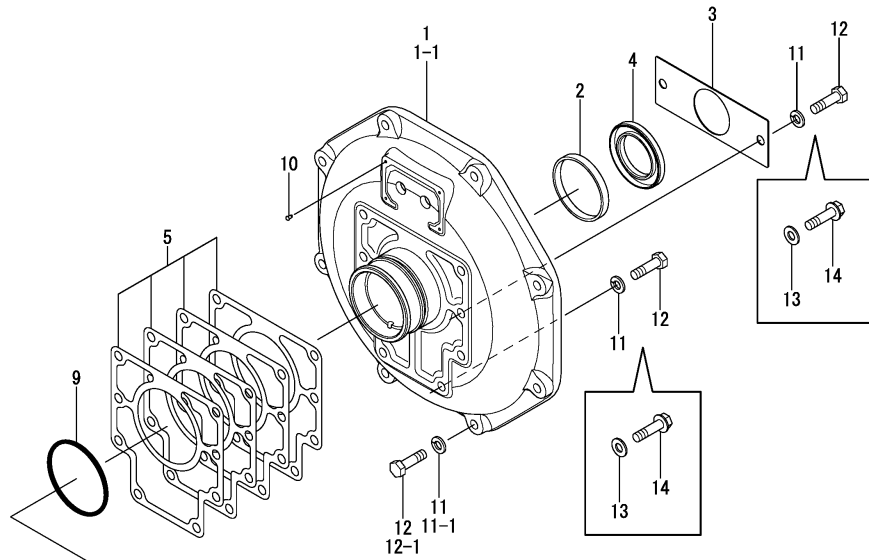
1. MOUNTING FLANGE
2. UPPER GEAR HOUSING
3. EXTENSION 80(OPTIONAL)
4. LOWER GEAR HOUSING
5. RUBBER MOUNT(OPTIONAL)
6. RUBBER PROTECTION & SEAL FLANGE
7. PROPELLER NUT(OPTIONAL)
8. SHIFT LEVER
9. TOOL(OPTIONAL)
10. SPECIAL TOOL(A)(OPTIONAL)
11. SPECIAL TOOL(B)(OPTIONAL)
12. ENGINE BED(OPTIONAL)

Fig. No. Fig. Name

Fig.1. MOUNTING FLANGE

(A)=SD25
(B)=
(C)=

(D)=
(E)=
(F)=



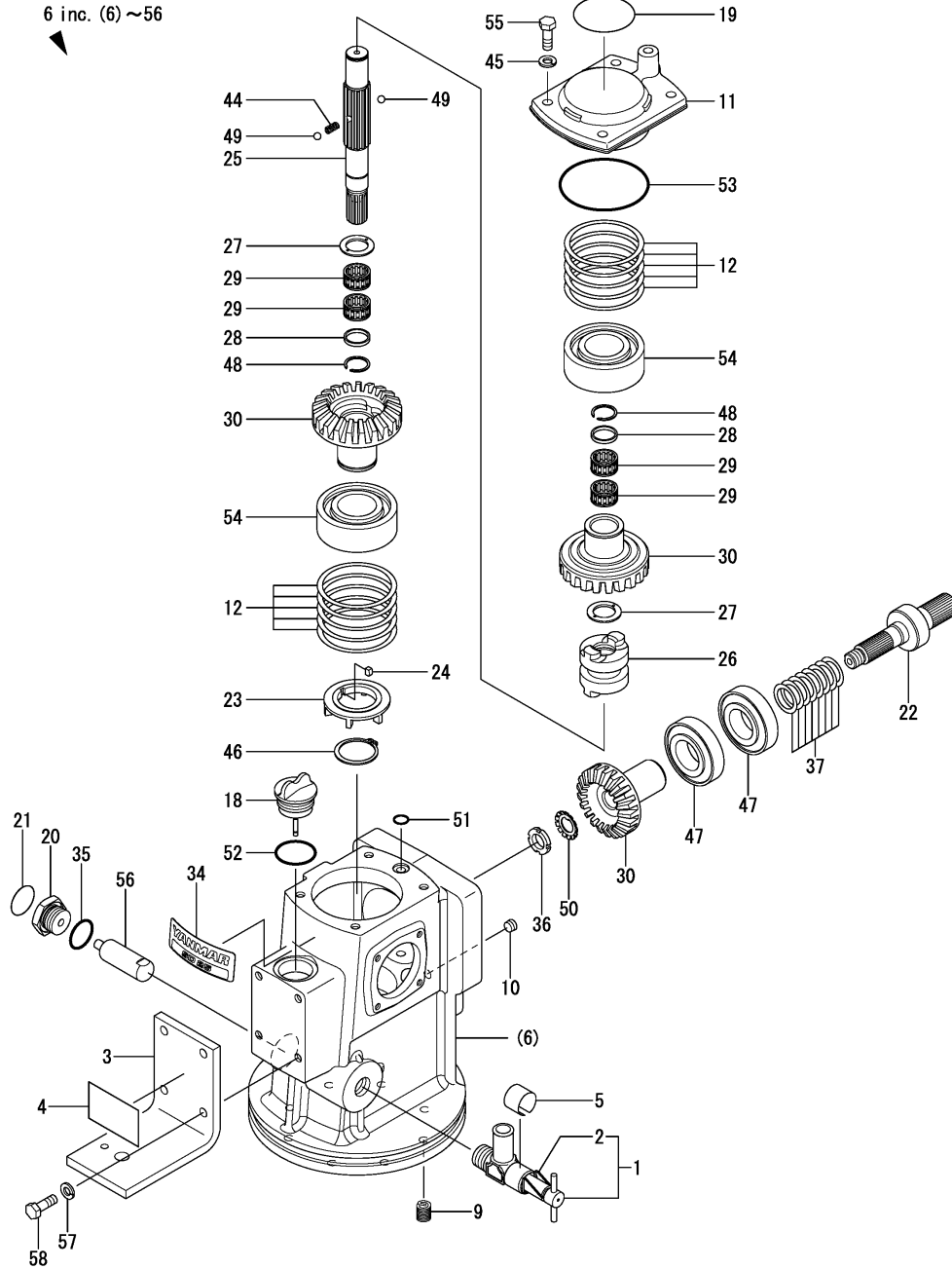
No.	Lev.	Parts No.	Description	Q'ty						I	R
				(A)	(B)	(C)	(D)	(E)	(F)		
1	1	196420-02112	FLANGE, MOUNTING	1							
1-1	1	196420-02113	FLANGE, MOUNTING	1							F 1
(A=*2017.05.)											
2	1	196420-02170	SPACER, OIL SEAL	1							
3	1	196420-02181	PLATE, SEAL	1							
4	1	196420-02260	SEAL, TC406208	1							
5	1	196420-02471	SHIM SET	1							
9	1	196420-12180	O-RING, 1A G65.0	1							
10	1	196420-12810	RIVET, 2X5	4							
11	1	22217-080000	WASHER, SPRING 8	16							
11-1	1	22217-080000	WASHER, SPRING 8	8							K
(A=*2017.05.)											
12	1	26206-080302	BOLT, M8X 30 PLATED	16							
12-1	1	26206-080302	BOLT, M8X 30 PLATED	8							K
(A=*2017.05.)											
13	1	22137-080000	WASHER, 8	8							W
(A=*2017.05.)											
14	1	26106-080302	BOLT, M8X 30 PLATED	8							W
(A=*2017.05.)											

Remarks

(1)Interchangeable by simultaneous replacement with No.13 & 14.

N:Old $\xrightarrow{\text{Yes}}$ New, Q:Old $\xrightarrow{\text{No}}$ New, R:Old $\xrightarrow{\text{Yes}}$ New, S:Old $\xrightarrow{\text{No}}$ New, W:Add, Z:Discontinued, F:Interchangeable by set, K:Q'ty Change

Fig.2. UPPER GEAR HOUSING

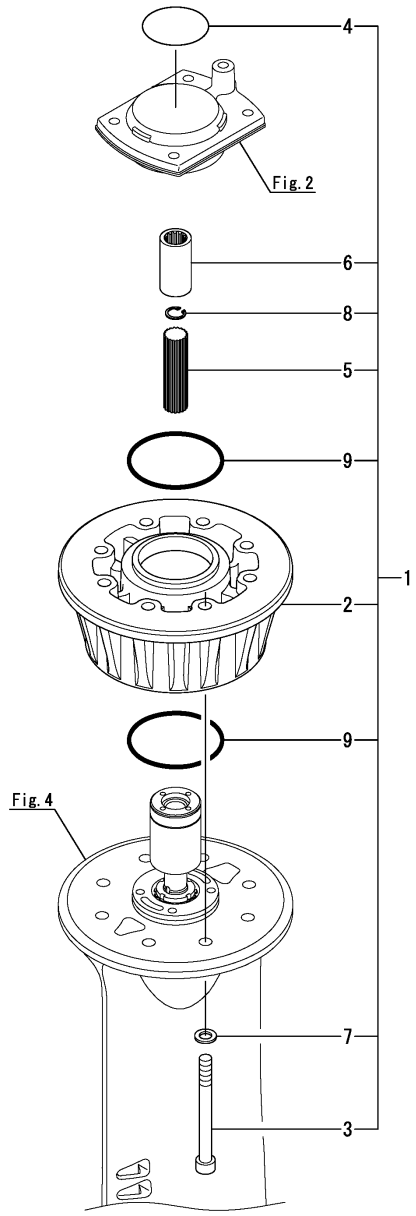


(A)=SD25
(B)=
(C)=

(D)=
(E)=
(F)=

No.	Lev.	Parts No.	Description	Q'ty						I	R
				(A)	(B)	(C)	(D)	(E)	(F)		
1	1	196420-02291	COCK ASSY, WATER 18	1							
2	2	196420-02280	SPRING, RETAINER	1							
3	1	196420-02300	FOOT, MOUNTING	1							
4	1	196420-02323	LABEL, FLEXIBLEMOUNT	1							
5	1	196420-02413	LABEL, CW	1							
6	1	796420-02920	HOUSING ASSY,GEAR UP	1							
9	3	196420-02050	INSERT, LOCK 10X1.5	8							
10	3	196420-12820	PLUG, R 1/8	1							
11	2	196420-02155	COVER, UPPER	1							
12	2	196420-02201	SHIM SET, 72	2							
18	2	196420-02350	DIPSTICK	1							
19	2	196420-02365	LABEL, LUB. OIL	1							
20	2	196420-02430	PLUG, M24	1							
21	2	196420-02442	LABEL, ZINC	1							
22	2	196420-04130	SHAFT, PINION	1							
23	2	196420-04270	PUMP, OIL	1							
24	2	196311-04280	KEY, WOODRUFF 4X13	1							
25	2	196311-04300	SHAFT, CLUTCH	1							
26	2	196311-04310	DOG, CLUTCH	1							
27	2	196420-04320	COLLAR, GEAR	2							
28	2	196420-04340	COLLAR	2							
29	2	196311-04351	BEARING, K202413	4							
30	2	196420-04700	GEAR ASSY, UPPER	1							
34	2	196420-12060	LABEL, MODEL SD25	1							
35	2	196420-12100	O-RING, 1A G25.0	1							
36	2	196420-12710	NUT,15	1							
37	2	196420-14300	SHIM SET	1							
44	2	189060-26760	SPRING	1							
45	2	22217-080000	WASHER, 8	4							
46	2	22242-000350	RING, 35	1							
47	2	24141-302060	BEARING, 30206	2							
48	2	24164-000202	RING, 20	2							
49	2	24190-080001	BALL, 1/4	2							
50	2	24231-015000	WASHER, 15	1							
51	2	24311-000110	PACKING, P 11.0	1							
52	2	24311-000320	PACKING, P 32.0	1							
53	2	24321-000750	PACKING, G 75.0	1							
54	2	24512-052074	BEARING, 5207	2							
55	2	26206-080252	BOLT, 8 X 25	4							
56	2	27210-200550	ZINC,SCREW 20 X 55	1							
57	1	22217-080000	WASHER, 8	4							
58	1	26206-080252	BOLT, 8 X 25	4							

Fig.3. EXTENSION 80(OPTIONAL)



(A)=SD25
(B)=
(C)=

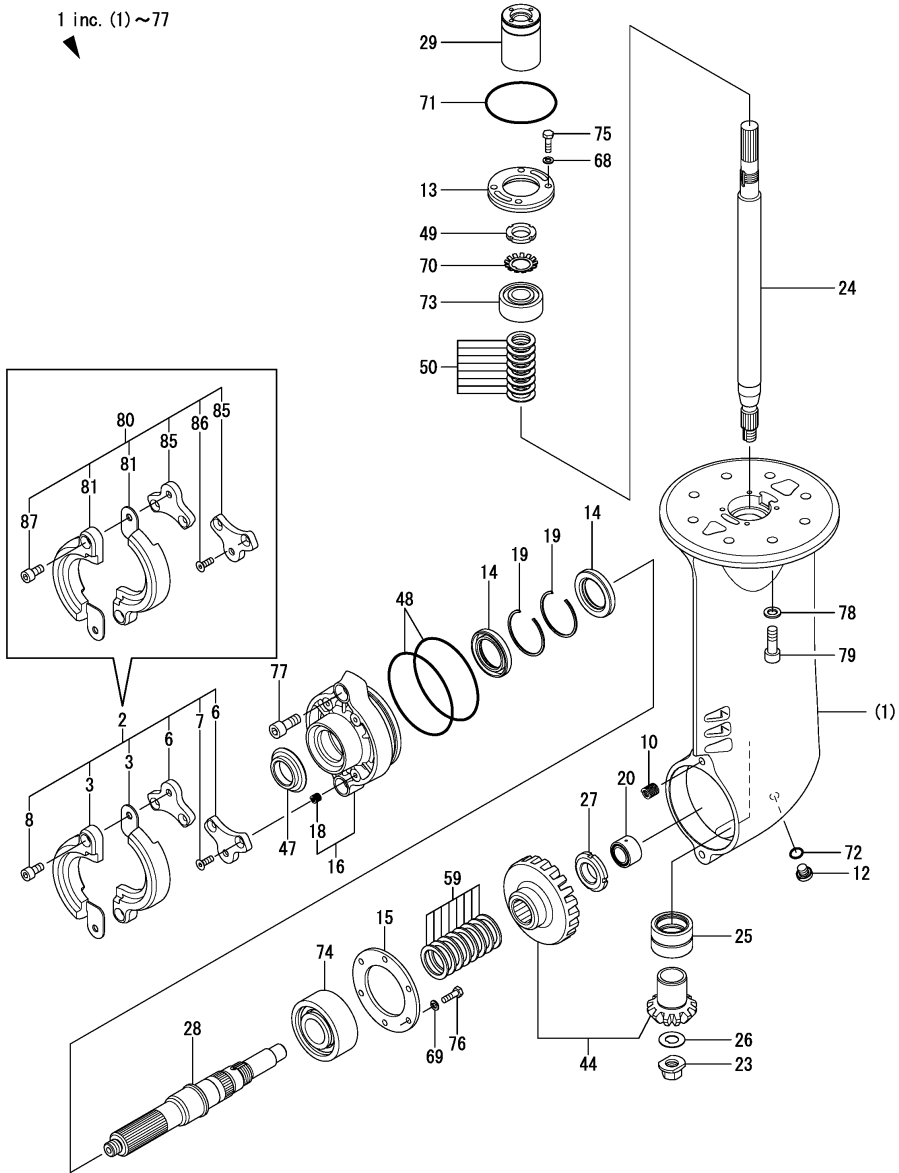
(D)=
(E)=
(F)=

No.	Lev.	Parts No.	Description	Q'ty						I	R
				(A)	(B)	(C)	(D)	(E)	(F)		
1	1	796420-02400	EXTENSION(80)ASY	1							
2	2	196420-02850	EXTENSION, 80	1							
3	2	196420-02860	BOLT, M10X105	8							
4	2	196420-02873	LABEL, LUB. OIL	1							
5	2	196420-04400	SHAFT, SPLINE 80	1							
6	2	196311-04450	SLEEVE, SPLINE	1							
7	2	22113-100000	WASHER, 10	8							
8	2	22252-000160	RING, 16	1							
9	2	24321-000750	PACKING, G 75.0	2							

Fig.4. LOWER GEAR HOUSING

(A)=SD25
(B)=
(C)=

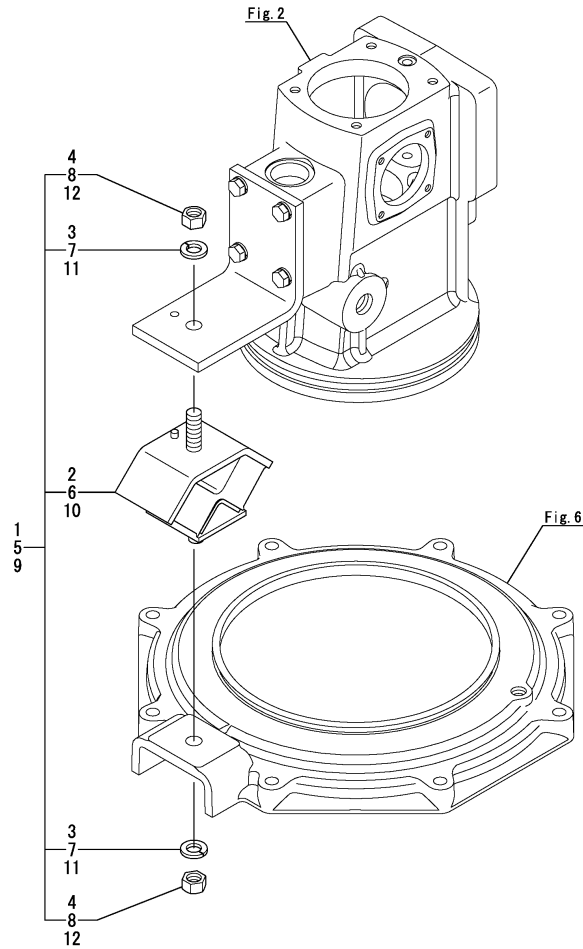
(D)=
(E)=
(F)=



No.	Lev.	Parts No.	Description	Q'ty						I	R
				(A)	(B)	(C)	(D)	(E)	(F)		
1	1	796420-02912	HOUSING ASSY, GEARS	1							
2	2	196450-02491	ANODE ASSY, AL	1							1
3	3	196450-02500	SEPARATE ANODE, AL	2							
6	3	196440-02690	PLATE, SEPARATE ANODE	2							
7	3	196440-02701	BOLT, FLT HEAD M6X18	4							
8	3	26453-080162	BOLT, 8 X 16	2							
10	3	196420-02050	INSERT, LOCK 10X1.5	2							
12	2	196420-02530	PLUG, M10	1							
13	2	196420-02540	SUPPORT, BEARING	1							
14	2	196313-02591	SEAL, SC355508	2							
15	2	196420-02590	RETAINER, BEARING	1							
16	2	196420-02602	COVER ASSY, REAR	1							
18	3	196420-02620	INSERT, 6X1.5	4							
19	2	196315-02880	CIRCLIP, 52 NEEDLE	2							
20	2	196311-04060	NEEDLE, NA5903CMP	1							
23	2	196312-04401	NUT, M14	1							
24	2	196420-04451	SHAFT, DRIVE	1							
25	2	196312-04480	NEEDLE, RNA69/28	1							
26	2	196311-04490	WASHER, 14	1							
27	2	196313-04500	NUT, BEARING	1							
28	2	196420-04514	SHAFT, PROPELLER	1							
29	2	196420-04540	TORQUE LIMITER ASSY	1							
44	2	196420-04850	GEAR ASSY, LOWER	1							
47	2	196420-09250	SPACER	1							
48	2	196420-12240	O-RING, 1A G95.0	2							
49	2	196420-12720	NUT, 20	1							
50	2	196420-14400	COLLAR ASSY, GEAR	1							
59	2	196420-14500	COLLAR ASSY, GEAR	1							
68	2	22287-060000	WASHER, 6	4							
69	2	22287-060000	WASHER, 6	5							
70	2	24231-020000	WASHER, 20	1							
71	2	24321-000750	PACKING, G 75.0	1							
72	2	24341-000125	PACKING, S 12.5	1							
73	2	24512-052044	BEARING, 5204	1							
74	2	24512-053064	BEARING, 5306 NTN	1							
75	2	26116-060202	BOLT, 6 X 20	4							
76	2	26116-060202	BOLT, 6 X 20	5							
77	2	26453-100252	BOLT, 10 X 25	2							
78	1	22113-100000	WASHER, 10	8							
79	1	26453-100302	BOLT, 10 X 30	8							
80	1	196450-02442	ANODE ASSY, MG	1							2
81	2	196450-02600	SEPARATE ANODE, MG	2							
85	2	196440-02690	PLATE, SEPARATE ANODE	2							
86	2	196440-02701	BOLT, FLT HEAD M6X18	4							
87	2	26453-080162	BOLT, 8 X 16	2							

Remarks
(1)Aluminum anode.
(2)Optional parts(Magnesium anode).

Fig.5. RUBBER MOUNT(OPTIONAL)



(A)=SD25
(B)=
(C)=

(D)=
(E)=
(F)=

No.	Lev.	Parts No.	Description	Q'ty						I	R
				(A)	(B)	(C)	(D)	(E)	(F)		
1	1	796420-08610	ABSORBER ASSY, SHOCK	1							1
2	2	121575-08340	ABSORBER	1							
3	2	22217-120000	WASHER, SPRING 12	2							
4	2	26716-120002	NUT, M12	2							
5	1	796420-08620	ABSORBER ASSY, SHOCK	1							2
6	2	129795-08340	ABSORBER, 150	1							
7	2	22217-120000	WASHER, SPRING 12	2							
8	2	26716-120002	NUT, M12	2							
9	1	796420-08630	ABSORBER ASSY, SHOCK	1							3
10	2	196420-02310	RUBBER, ABSORBER 230	1							
11	2	22217-120000	WASHER, SPRING 12	2							
12	2	26716-120002	NUT, M12	2							

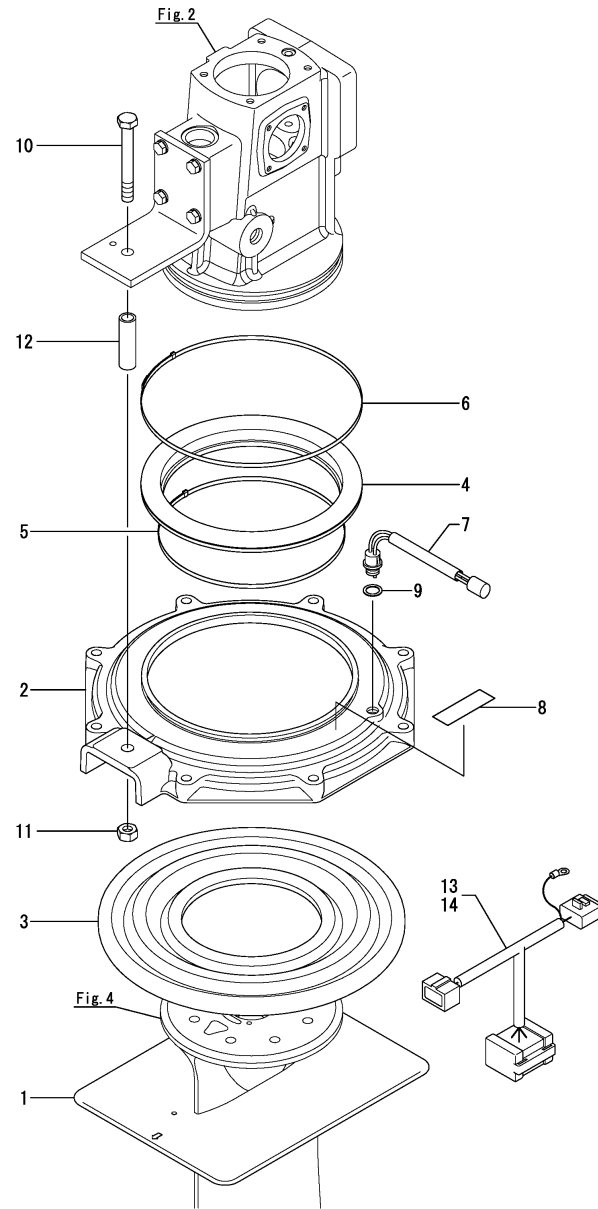
Remarks

- (1)For 1GM10C.
- (2)For 2GM20(F)C, 2YM15.
- (3)For 3GM30(F)C, 3YM20, 3YM30(A)E.

Fig.6. RUBBER PROTECTION & SEAL FLANGE

(A)=SD25
(B)=
(C)=

(D)=
(E)=
(F)=



No.	Lev.	Parts No.	Description	Qty						I	R
				(A)	(B)	(C)	(D)	(E)	(F)		
1	1	196420-02551	PROTECTION, RUBBER	1							
2	1	196420-02701	SEAL FRANGE	1							
3	1	196420-02711	DIAPHRAGM, A	1							
4	1	196420-02720	DIAPHRAGM, B	1							
5	1	196420-02730	BAND, 199	1							
6	1	196420-02740	BAND, 236	1							
7	1	196420-02802	SENSOR, SEAL	1							
8	1	196420-02821	LABEL, SEAL SENSOR	1							
9	1	23418-140000	GASKET, 14 X 1.0	1							
10	1	196420-02080	BOLT, SPACER	1							
11	1	196420-02090	NUT, SPCER	1							
12	1	196420-02340	SPACER	1							
13	1	196420-02790	AMP	1							1
14	1	196420-02812	AMPLIFIER	1							2

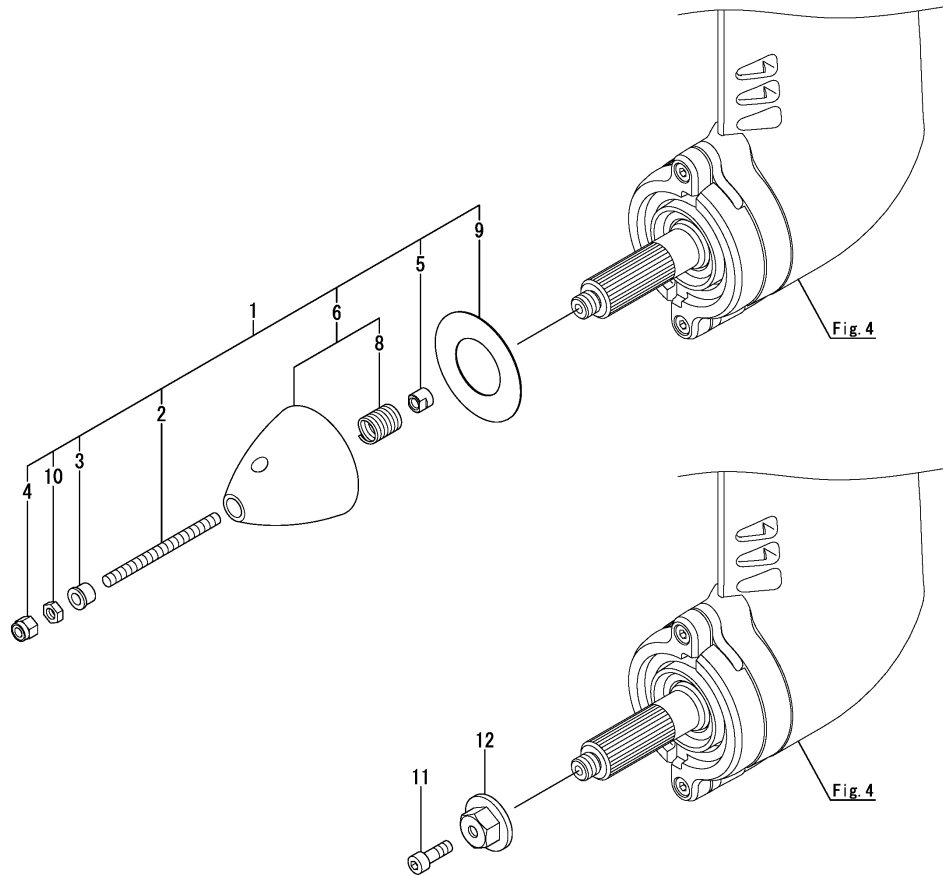
Remarks

- (1)Optional parts(Deutsch connector specification).
- (2)Optional parts(Yazaki connector specification).

Fig.7. PROPELLER NUT(OPTIONAL)

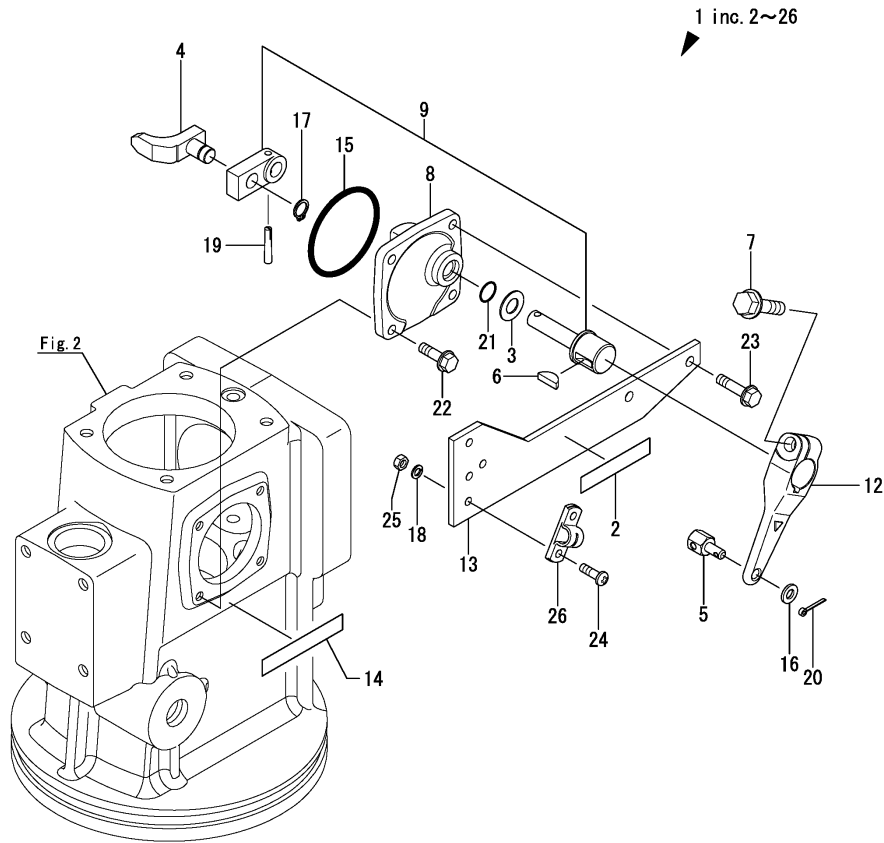
(A)=SD25
(B)=
(C)=

(D)=
(E)=
(F)=



No.	Lev.	Parts No.	Description	Q'ty						I	R
				(A)	(B)	(C)	(D)	(E)	(F)		
1	1	796420-09200	PROP NUT ASY,SPARE	1							
2	2	196440-09150	BOLT M8X105	1							
3	2	196440-09160	SPACER	1							
4	2	196440-09170	NYLON NUT	1							
5	2	196440-09180	NUT 8	1							
6	2	196420-09200	NUT ASSY, PROPELLER	1							
8	3	26273-160151	INSERT, 16 X 1.5D	1							
9	2	196420-09220	WASHER, PROPELLER	1							
10	2	26793-080002	NUT, 8	1							
11	1	196420-09261	BOLT, M8X25	1							
12	1	196420-09300	NUT, PROPELLER	1							

Fig.8. SHIFT LEVER



(A)=SD25
(B)=
(C)=

(D)=
(E)=
(F)=

No.	Lev.	Parts No.	Description	Q'ty						I	R
				(A)	(B)	(C)	(D)	(E)	(F)		
1	1	796420-06263	SHIFT LEVER ASSY	1							
2	2	196420-02380	LABEL, DIRECTION	1							
3	2	196311-03300	WASHER, THRUST	1							
4	2	196311-06080	SHIFTER	1							
5	2	177073-06210	PIVOT	1							
6	2	196420-06230	KEY, WOODRUFF 5X16	1							
7	2	196420-06240	BOLT, 8 X 30	1							
8	2	196420-06251	SUPPORT, SHIFT LEVER	1							
9	2	196420-06261	SHAFT ASSY, SHIFT	1							
12	2	196420-06282	LEVER, SHIFT	1							
13	2	196420-06290	BRACKET, CABLE	1							
14	2	196420-06300	LABEL	1							
15	2	196420-12160	O-RING, 1A G55.0	1							
16	2	22137-060000	WASHER, 6	1							
17	2	22242-000100	RING, 10	1							
18	2	22287-050000	WASHER, 5	2							
19	2	22301-040250	PIN, 4 X 25	1							
20	2	22413-250160	PIN, 2.5 X 16	1							
21	2	24311-240100	PACKING, P 10A	1							
22	2	26106-060202	BOLT, 6 X 20	2							
23	2	26106-060252	BOLT, 6 X 25	2							
24	2	26557-050162	SCREW, 5 X 16	2							
25	2	26716-050002	NUT, 5	2							
26	2	41710-000410	CLAMP	1							

Fig.9. TOOL(OPTIONAL)

(A)=SD25
(B)=
(C)=

(D)=
(E)=
(F)=

No.	Lev.	Parts No.	Description	Q'ty						I	R
				(A)	(B)	(C)	(D)	(E)	(F)		
1	1	196420-92012	SHEET, MARK	1							
2	1	28150-060000	WRENCH, BAR 6	1							
3	1	28150-080000	WRENCH, BAR 8	1							

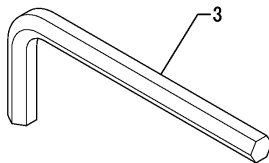
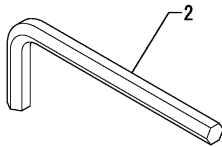
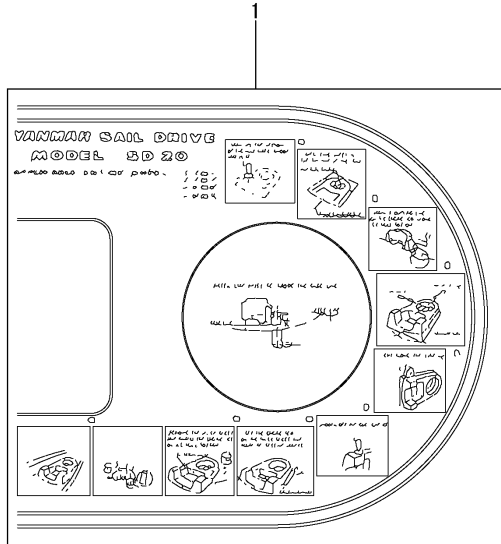
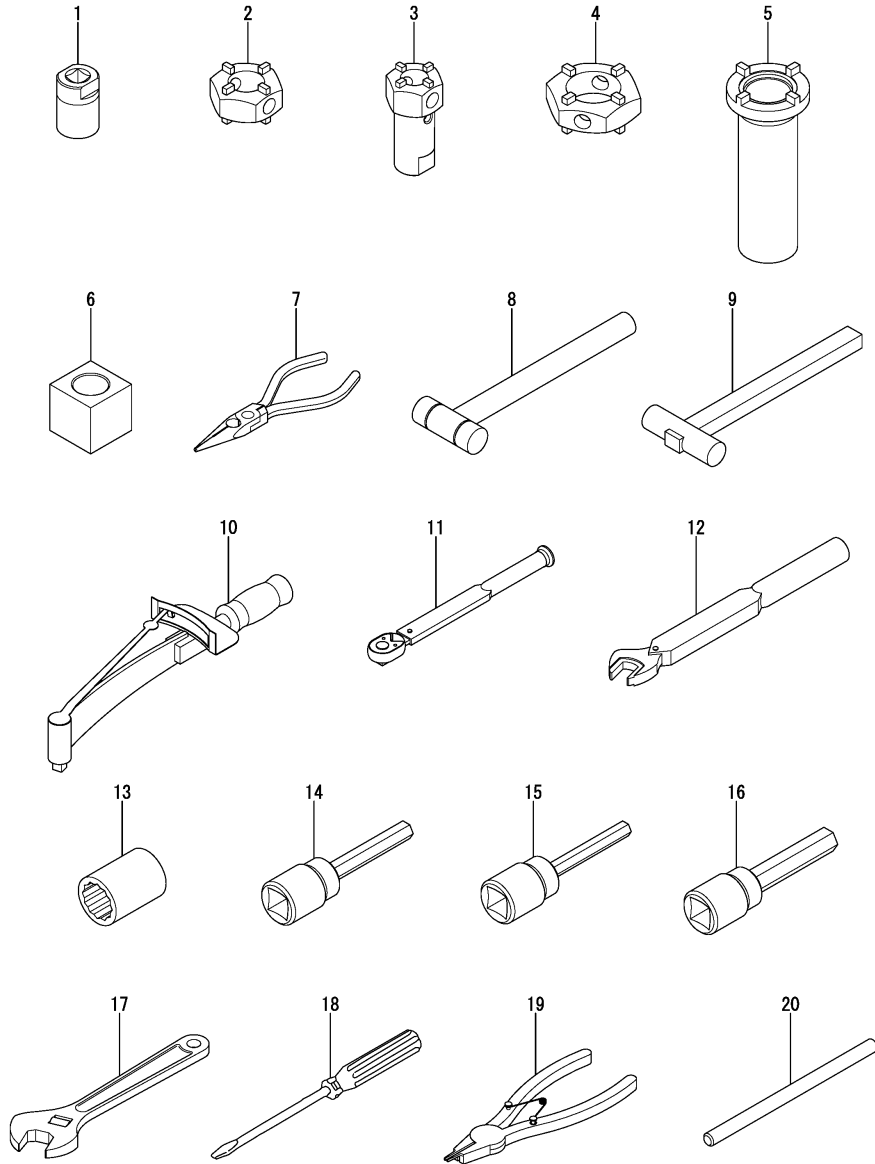


Fig.10. SPECIAL TOOL(A)(OPTIONAL)



(A)=SD25
(B)=
(C)=

(D)=
(E)=
(F)=

No.	Lev.	Parts No.	Description	Qty						I	R
				(A)	(B)	(C)	(D)	(E)	(F)		
1	1	196311-92010	SOCKET, SPLINE	1							
2	1	196311-92020	TOOL, BRAEING 20X25	1							
3	1	196311-92030	TOOL, BEARING 15N	1							
4	1	196313-92030	TOOL, BEARING 30X35N	1							1
5	1	196320-92100	TOOL, BEARING 30N	1							
6	1	196320-92130	SOCKET, SPLINE 28	1							
7	1	196311-92300	PLIERS, RADIO	1							
8	1	196311-92320	HAMMER, 0.3KG	1							
9	1	196311-92330	HAMMER	1							
10	1	196311-92350	WRENCH, TORQUE PLATE	1							
11	1	196311-92360	WRENCH, TORQUE	1							
12	1	196311-92370	WRENCH, TORQUE 10	1							
13	1	196311-92400	SOCKET, 13	1							
14	1	196311-92420	SPANNER, SOCKET 6	1							
15	1	196420-92430	SPANNER, SOCKET 5	1							
16	1	196420-92440	SPANNER, SOCKET 8	1							
17	1	28120-002000	WRENCH, 200	1							
18	1	28130-081500	DRIVER, 8 X 150	1							
19	1	28190-000020	PLIER, ST-2	1							
20	1	28230-120200	HANDLE, 12 X 200	2							

Remarks

(1)For Fig.4 No.27 : 196313-04500 NUT.

N:Old $\begin{matrix} \leftarrow \text{Yes} \\ \text{No} \end{matrix}$ New, Q:Old $\begin{matrix} \leftarrow \text{No} \\ \text{Yes} \end{matrix}$ New, R:Old $\begin{matrix} \leftarrow \text{Yes} \\ \text{No} \end{matrix}$ New, S:Old $\begin{matrix} \leftarrow \text{No} \\ \text{Yes} \end{matrix}$ New, W:Add, Z:Discontinued, F:Interchangeable by set, K:Q'ty Change

Fig.11. SPECIAL TOOL(B)(OPTIONAL)

(A)=SD25

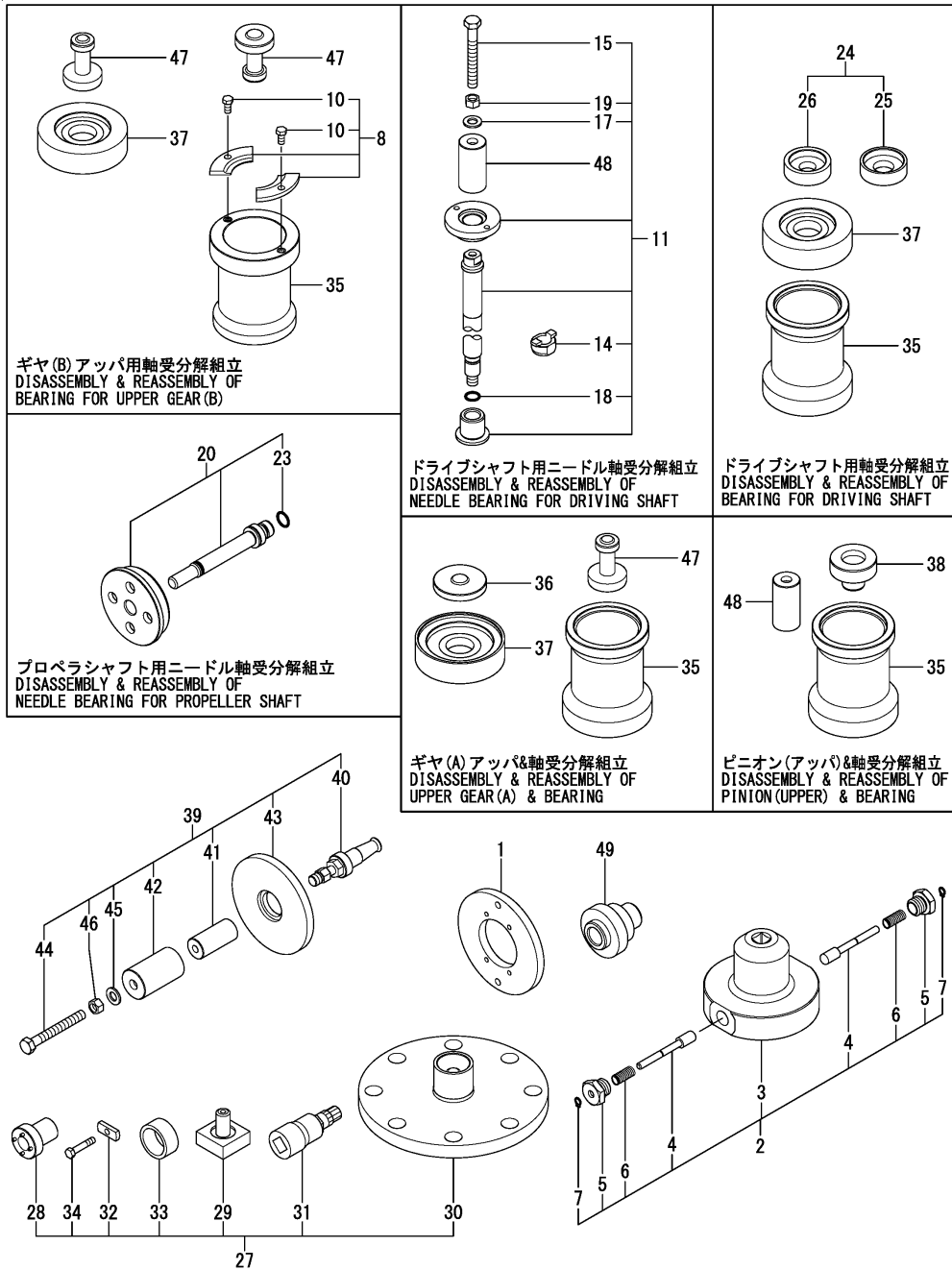
(B)=

(C)=

(D)=

(E)=

(F)=

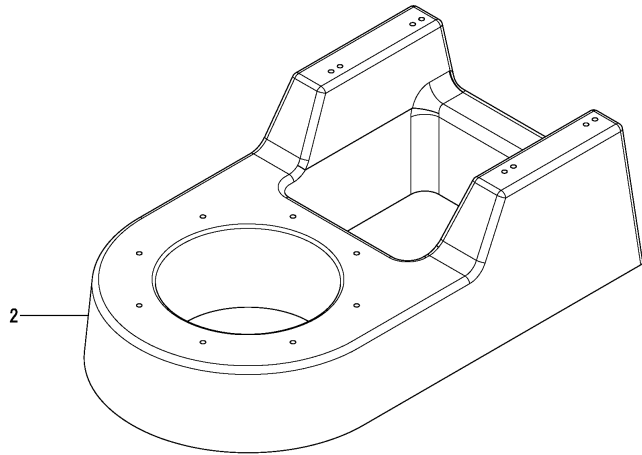
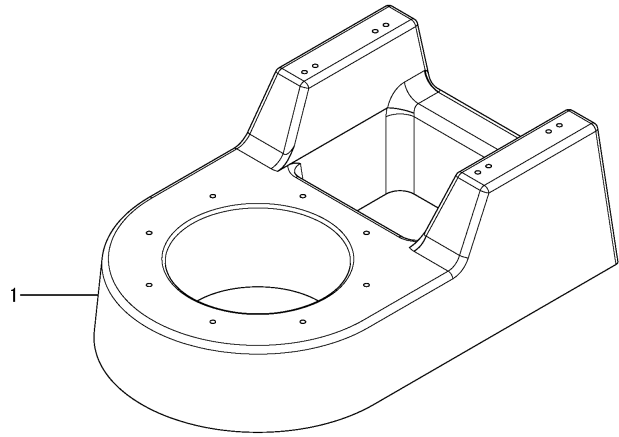


No.	Lev.	Parts No.	Description	(A)	(B)	(C)	(D)	(E)	(F)	Q'ty	I	R
1	1	196420-92040	TOOL, 70/148	1								
2	1	196450-92100	TL CMP,P NUT FIXED	1								
3	2	196450-92110	BASE,P NUT FIXED	1								
4	2	196450-92120	PIN,P NUT FIXED	2								
5	2	196450-92130	PLUG,P NUT FIXED	2								
6	2	196450-92140	SPRING,P NUT FIXED	2								
7	2	196450-92150	RING,P NUT FIXED	2								
8	1	196420-92140	TOOL ASSY, B5207	1								
10	2	26116-080162	BOLT, 8 X 16	2								
11	1	196420-92150	TOOL ASSY, NB32X45	1								
14	2	196420-92680	TOOL, NB32X45	1								
15	2	196320-92700	BOLT, M12X100	1								
17	2	22137-120000	WASHER, 12	1								
18	2	24311-000160	PACKING, P 16.0	1								
19	2	26711-120002	NUT, 12	1								
20	1	196420-92160	TOOL ASSY, NB22X30	1								
23	2	24311-000180	PACKING, P 18.0	1								
24	1	196420-92170	TOOL ASSY, B5204	1								
25	2	196311-92580	TOOL, B52	1								
26	2	196311-92590	TOOL, B47	1								
27	1	196420-92290	TOOL,T LIMIT CMP	1								
28	2	196420-92300	SOCKET WRENCH	1								
29	2	196420-92310	ASSEMBLY STAND	1								
30	2	196420-92320	INSPECTION STAND	1								
31	2	196420-92331	SPLINE WRENCH	1								
32	2	196420-92340	TOOL 35X6	1								
33	2	196420-92350	TOOL 49X22	1								
34	2	26116-080402	BOLT, 8 X 40	1								
35	1	196420-92510	MOUNT, BEARING	1								
36	1	196420-92550	TOOL, 35X70	1								
37	1	196420-92560	TOOL, B73/88	1								
38	1	196311-92600	TOOL, 30X62	1								
39	1	196313-92660	TOOL ASSY, NB POOLER	1								
40	2	196313-92670	TOOL, PULLER 3	1								
41	2	196322-92680	TOOL, 30XL65	1								
42	2	196320-92690	TOOL, 35/43	1								
43	2	196322-92690	TOOL, 35/140	1								
44	2	196320-92700	BOLT, M12X100	1								
45	2	22137-120000	WASHER, 12	1								
46	2	26716-120002	NUT, 12	1								
47	1	196311-92690	TOOL, 32X52	1								
48	1	196420-92690	TOOL, 30/36	1								
49	1	196420-92860	TOOL, OS35X40	1								

Fig.12. ENGINE BED(OPTIONAL)

(A)=SD25
(B)=
(C)=

(D)=
(E)=
(F)=



No.	Lev.	Parts No.	Description	Q'ty						I	R	
				(A)	(B)	(C)	(D)	(E)	(F)			
1	1	196420-02881	ENGINE BED (A=*2016.10.)	1							W	1
2	1	196420-02892	BED, 3YM20 30 (A=*2016.10.)	1							W	2

Remarks

- (1)For 1GM10, 2YM15.
- (2)For 3YM20, 3YM30.

Parts No. Index

Parts No.	Fig. No.	Ref. No.
121575-08340	5	2
129795-08340	5	6
177073-06210	8	5
189060-26760	2	44
196311-03300	8	3
196311-04060	4	20
196311-04280	2	24
196311-04300	2	25
196311-04310	2	26
196311-04351	2	29
196311-04450	3	6
196311-04490	4	26
196311-06080	8	4
196311-92010	10	1
196311-92020	10	2
196311-92030	10	3
196311-92300	10	7
196311-92320	10	8
196311-92330	10	9
196311-92350	10	10
196311-92360	10	11
196311-92370	10	12
196311-92400	10	13
196311-92420	10	14
196311-92580	11	25
196311-92590	11	26
196311-92600	11	38
196311-92690	11	47
196312-04401	4	23
196312-04480	4	25
196313-02591	4	14
196313-04500	4	27
196313-92030	10	4
196313-92660	11	39
196313-92670	11	40
196315-02880	4	19
196320-92100	10	5
196320-92130	10	6
196320-92690	11	42
196320-92700	11	15
		44
196322-92680	11	41
196322-92690	11	43
196420-02050	2	9
	4	10
196420-02080	6	10
196420-02090	6	11
196420-02112	1	1
196420-02113	1	1 -1
196420-02155	2	11

Parts No.	Fig. No.	Ref. No.
196420-02170	1	2
196420-02181	1	3
196420-02201	2	12
196420-02260	1	4
196420-02280	2	2
196420-02291	2	1
196420-02300	2	3
196420-02310	5	10
196420-02323	2	4
196420-02340	6	12
196420-02350	2	18
196420-02365	2	19
196420-02380	8	2
196420-02413	2	5
196420-02430	2	20
196420-02442	2	21
196420-02471	1	5
196420-02530	4	12
196420-02540	4	13
196420-02551	6	1
196420-02590	4	15
196420-02602	4	16
196420-02620	4	18
196420-02701	6	2
196420-02711	6	3
196420-02720	6	4
196420-02730	6	5
196420-02740	6	6
196420-02790	6	13
196420-02802	6	7
196420-02812	6	14
196420-02821	6	8
196420-02850	3	2
196420-02860	3	3
196420-02873	3	4
196420-02881	12	1
196420-02892	12	2
196420-04130	2	22
196420-04270	2	23
196420-04320	2	27
196420-04340	2	28
196420-04400	3	5
196420-04451	4	24
196420-04514	4	28
196420-04540	4	29
196420-04700	2	30
196420-04850	4	44
196420-06230	8	6
196420-06240	8	7
196420-06251	8	8

Parts No.	Fig. No.	Ref. No.
196420-06261	8	9
196420-06282	8	12
196420-06290	8	13
196420-06300	8	14
196420-09200	7	6
196420-09220	7	9
196420-09250	4	47
196420-09261	7	11
196420-09300	7	12
196420-12060	2	34
196420-12100	2	35
196420-12160	8	15
196420-12180	1	9
196420-12240	4	48
196420-12710	2	36
196420-12720	4	49
196420-12810	1	10
196420-12820	2	10
196420-14300	2	37
196420-14400	4	50
196420-14500	4	59
196420-92012	9	1
196420-92040	11	1
196420-92140	11	8
196420-92150	11	11
196420-92160	11	20
196420-92170	11	24
196420-92290	11	27
196420-92300	11	28
196420-92310	11	29
196420-92320	11	30
196420-92331	11	31
196420-92340	11	32
196420-92350	11	33
196420-92430	10	15
196420-92440	10	16
196420-92510	11	35
196420-92550	11	36
196420-92560	11	37
196420-92680	11	14
196420-92690	11	48
196420-92860	11	49
196440-02690	4	6
		85
196440-02701	4	7
		86
196440-09150	7	2
196440-09160	7	3
196440-09170	7	4
196440-09180	7	5

Parts No.	Fig. No.	Ref. No.
196450-02442	4	80
196450-02491	4	2
196450-02500	4	3
196450-02600	4	81
196450-92100	11	2
196450-92110	11	3
196450-92120	11	4
196450-92130	11	5
196450-92140	11	6
196450-92150	11	7
22113-100000	3	7
	4	78
22137-060000	8	16
22137-080000	1	13
22137-120000	11	17
		45
22217-080000	1	11
		11 -1
	2	45
		57
22217-120000	5	3
		7
		11
22242-000100	8	17
22242-000350	2	46
22252-000160	3	8
22287-050000	8	18
22287-060000	4	68
		69
22301-040250	8	19
22413-250160	8	20
23418-140000	6	9
24141-302060	2	47
24164-000202	2	48
24190-080001	2	49
24231-015000	2	50
24231-020000	4	70
24311-000110	2	51
24311-000160	11	18
24311-000180	11	23
24311-000320	2	52
24311-240100	8	21
24321-000750	2	53
	3	9
	4	71
24341-000125	4	72
24512-052044	4	73
24512-052074	2	54
24512-053064	4	74
26106-060202	8	22

Parts No. Index

Parts No.	Fig. No.	Ref. No.
26106-060252	8	23
26106-080302	1	14
26116-060202	4	75
		76
26116-080162	11	10
26116-080402	11	34
26206-080252	2	55
		58
26206-080302	1	12
		12 -1
26273-160151	7	8
26453-080162	4	8
		87
26453-100252	4	77
26453-100302	4	79
26557-050162	8	24
26711-120002	11	19
26716-050002	8	25
26716-120002	5	4
		8
		12
	11	46
26793-080002	7	10
27210-200550	2	56
28120-002000	10	17
28130-081500	10	18
28150-060000	9	2
28150-080000	9	3
28190-000020	10	19
28230-120200	10	20
41710-000410	8	26
796420-02400	3	1
796420-02912	4	1
796420-02920	2	6
796420-06263	8	1
796420-08610	5	1
796420-08620	5	5
796420-08630	5	9
796420-09200	7	1

Parts No.	Fig. No.	Ref. No.
-----------	----------	----------

Parts No.	Fig. No.	Ref. No.
-----------	----------	----------

Parts No.	Fig. No.	Ref. No.
-----------	----------	----------