

OCF10-M40201EN

PREFACE

1. This Parts Catalog is issued by listing the parts of Model SD31 additionally to those parts covered by Model SD20/30 Parts Catalog (Pub. No. 000YEOF1291)

Pub. No. 000Y00F4021

Date of issue: Jun. 1993

[History]

First edition: May. 1982 Pub. No. K066A2128

2ND editions: August. 1983 Pub. No. 000YEOF1291

(Please discard the abovementioned old Parts Catalog in your hands.)

2. The basic illustration is for Model SD20.

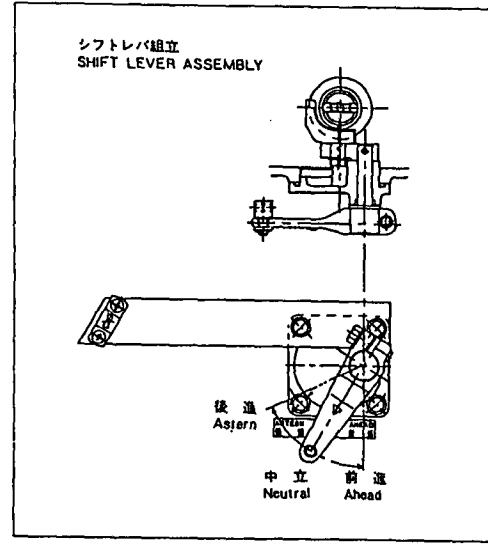
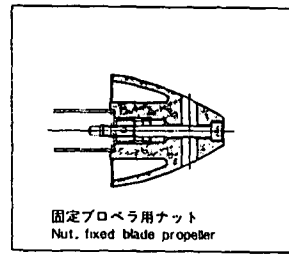
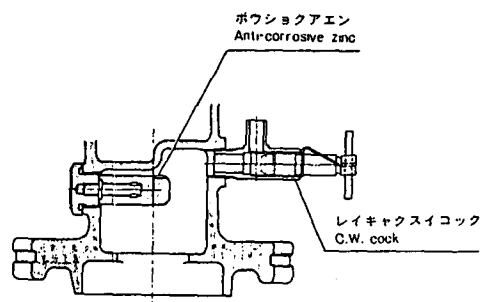
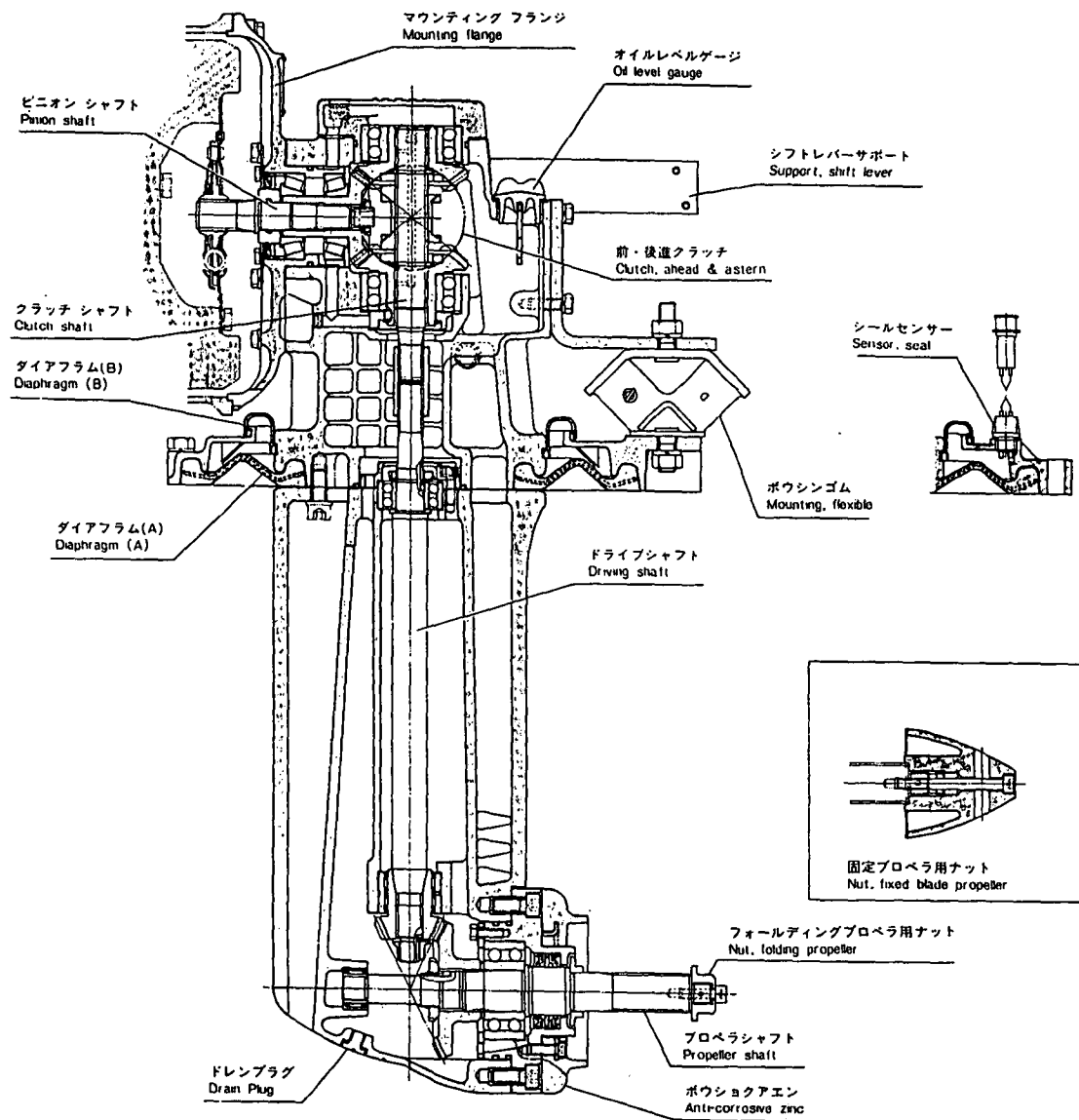
Incidentally, the SD30/31 is developed herein for illustration by showing only those parts which differ considerably from corresponding parts of the SD20 in shape under a separate title or within a framework inserted in illustration.

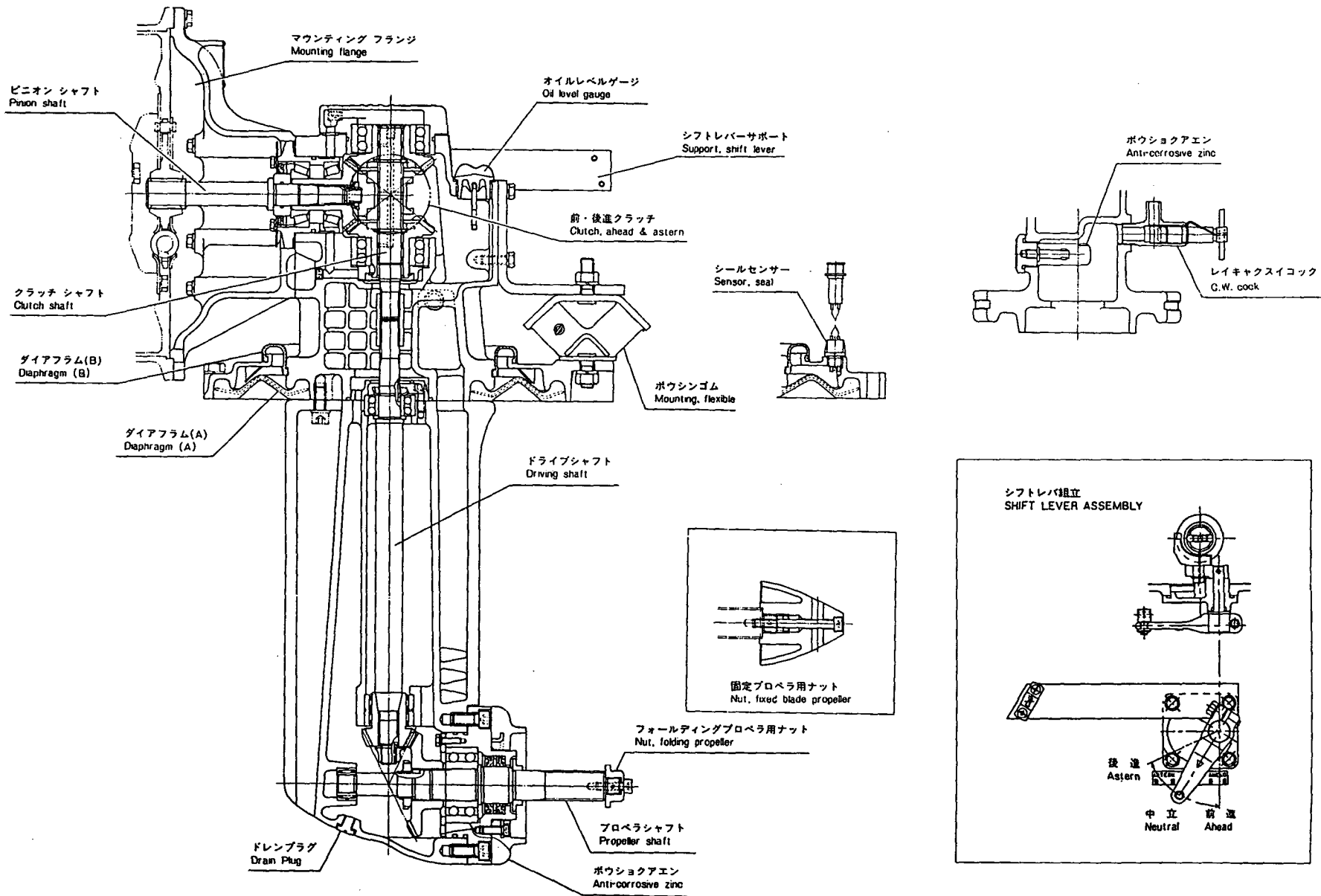
3. As this Parts Catalog does not contain parts for engines.

4. Applicable Engine and Model of Sail Drive Unit

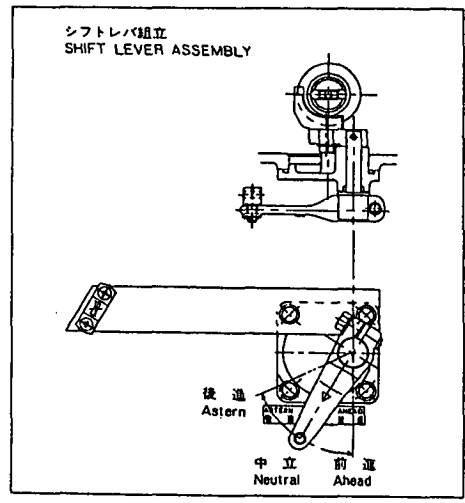
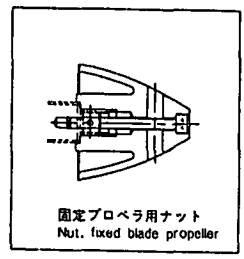
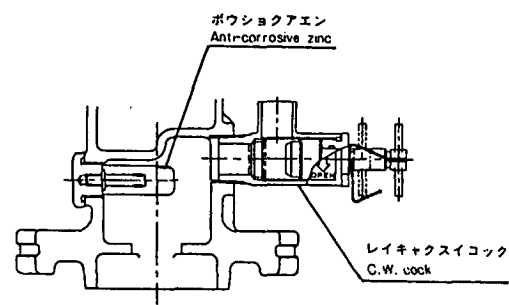
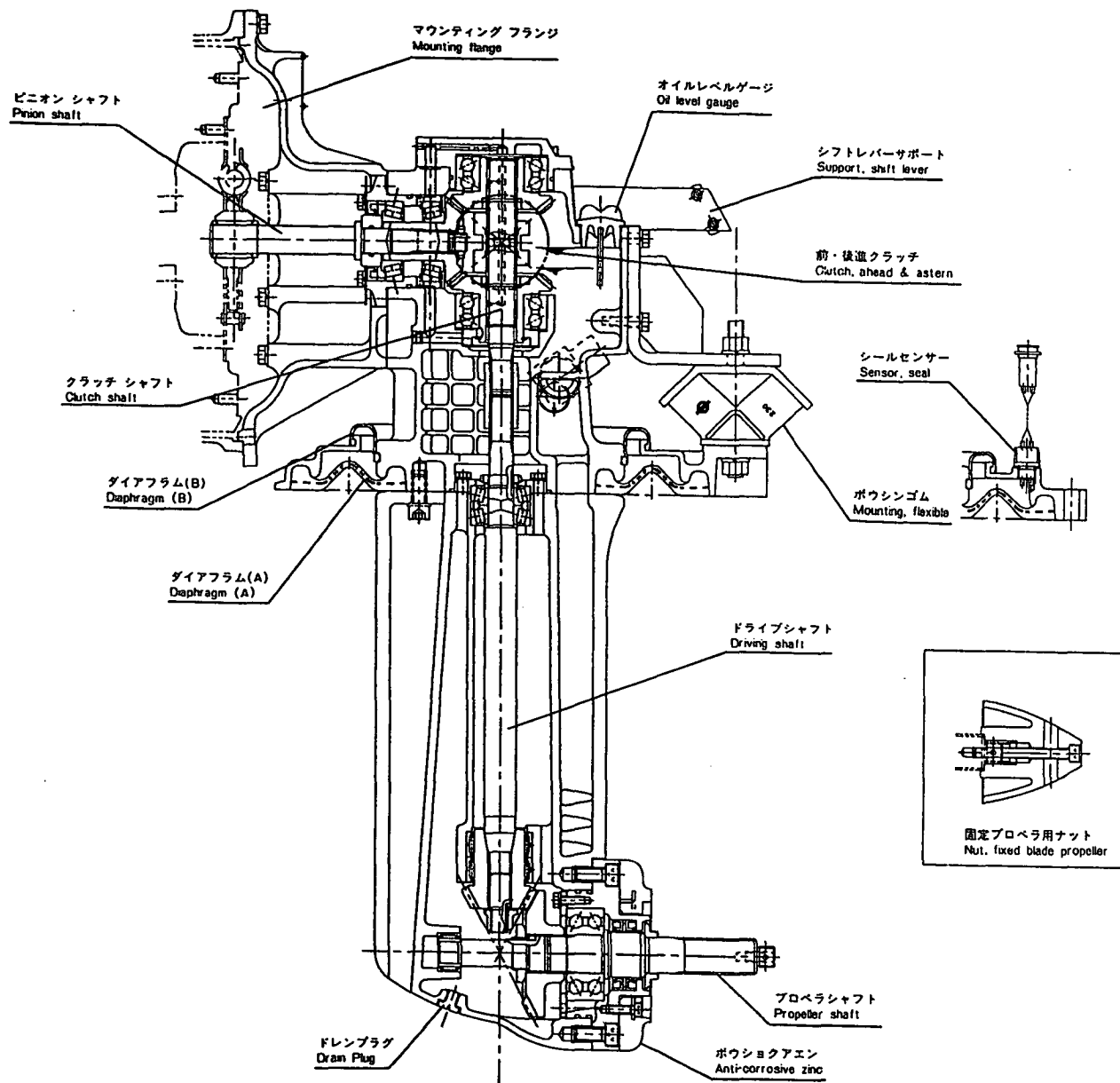
Model of sail drive unit	Applicable engine	Engine Pub. No.
SD20A	1 GMC	000Y00R0902 (K039A1295)
	1 GM10C	000YEOF1355
SD20B	2 GMC	000Y00R0902 (K039A1295)
	2 GM20C	000Y00R3751
SD20C	3 GMC	000Y00R0902 (K039A1295)
	3 GM30C	000Y00R3761
SD30	3 HMC	000Y00R0902 (K039A1295)
	3 HM35C	000Y00R1447
SD31	3 JH2 (T) CE	000Y00R4180
	4 JH2 CE	000Y00R4190

SD20セールドライブセクション
SD20 SAIL DRIVE SECTIONAL DRAWING





SD30セールドライブメカニズム
SD30 SAIL DRIVE SECTIONAL DRAWING



SD31セールドライブ装置
 SD31 SAIL DRIVE SECTIONAL DRAWING

Contents

Fig. No. Fig. Name

SD20,30,31

1. MOUNTING FLANGE
2. UPPER GEAR HOUSING
3. UPPER GEAR HOUSING
4. LOWER GEAR HOUSING
5. RUBBER MOUNT & SEAL FLANGE
6. SHIFT LEVER(PREVIOUS)
7. SHIFT LEVER(NEW)
8. TOOL
9. EXTENSION 80(OPTIONAL)
10. SPECIAL TOOL(A)(OPTIONAL)
11. SPECIAL TOOL(B)(OPTIONAL)
12. MEASUREMENT TOOL(OPTIONAL)

Fig. No. Fig. Name

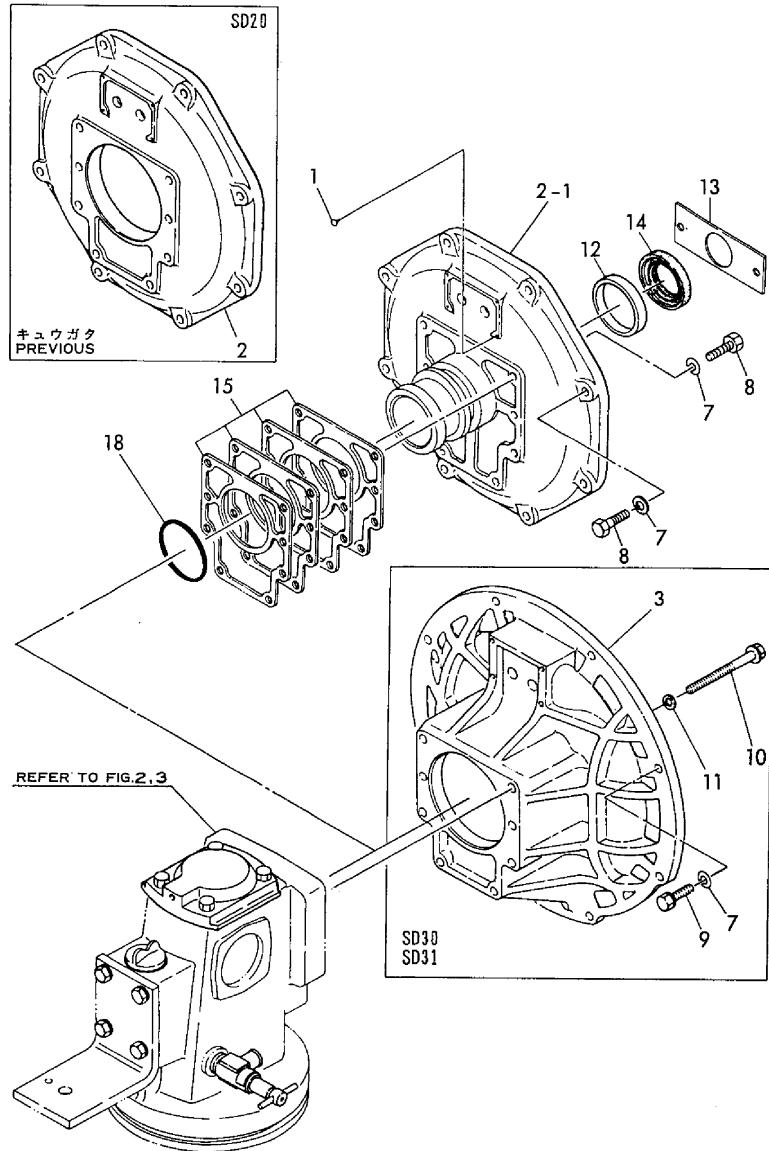
Fig.1. MOUNTING FLANGE

(A)=SD20
(B)=SD30
(C)=SD31

(D)=
(E)=
(F)=

Fig. 1 マウンティングフランジ
MOUNTING FLANGE

SPEC. CODE
D96420-02153
D96430-02150
D96431-02150



No.	Lev.	Parts No.	Description	Qty						I	R
				(A)	(B)	(C)	(D)	(E)	(F)		
1	1	196311-02060	RIVET, 2X5	4	4	4					
2	1	196420-02110	FLANGE, MOUNTING	1							
2-1	1	196420-02111	FLANGE, MOUNTING	1							S
(A=*1984.01)											
3	1	196430-02110	FLANGE, MOUNTING		1	1					
7	1	22217-080000	WASHER, SPRING 8	16	8	8					
8	1	26206-080302	BOLT, M8X 30 PLATED	16							
9	1	26206-080252	BOLT, M8X 25 PLATED		8	8					
10	1	26116-081102	BOLT, M8X110 PLATED		8	8					
11	1	22217-080000	WASHER, SPRING 8		8	8					
12	1	196420-02170	SPACER, SEAL	1							W
(A=*1986.01)											
13	1	196420-02180	RETAINER	1							W
(A=DXXX)											
14	1	101158-02220	SEAL, OIL	1							W
(A=*1986.01)											
15	1	196420-02470	SHIM SET	1							W
(A=*1984.01)											
18	1	24321-000650	O-RING, 1AG65.0	1							W
(A=*1986.01)											

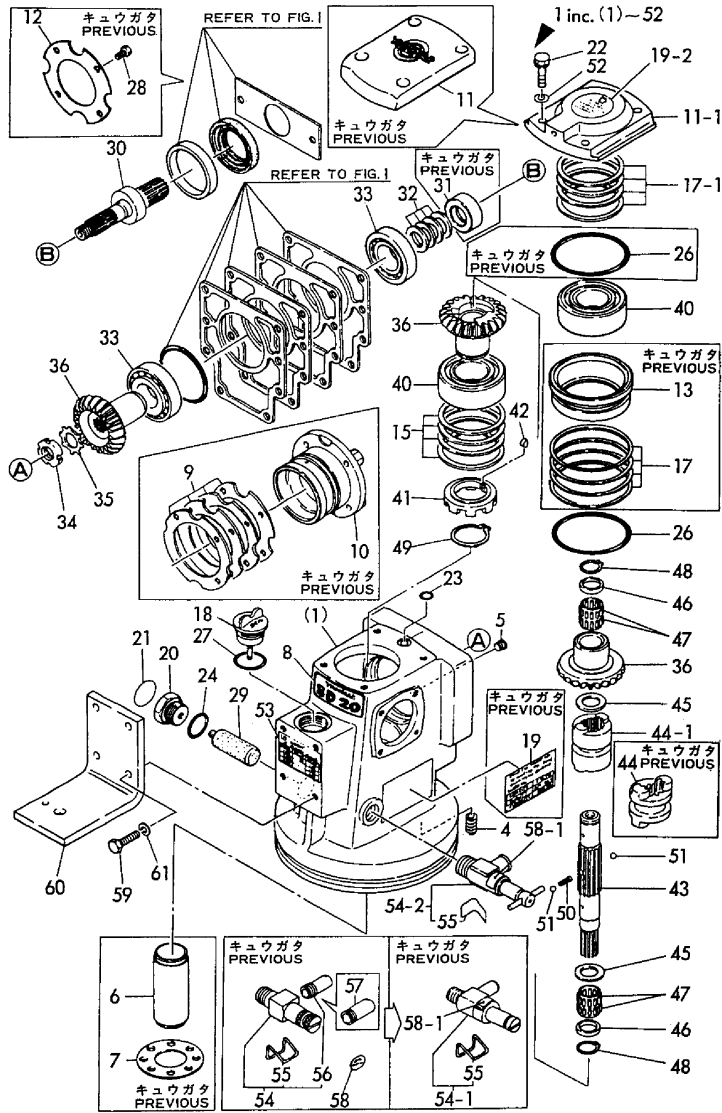
Fig.2. UPPER GEAR HOUSING

(A)=SD20
(B)=SD30
(C)=SD31

(D)=
(E)=
(F)=

Fig.2 アップギヤケース
UPPER GEAR HOUSING

SPEC. CODE
D96420-02072
D96420-04070
D96420-04260
D96420-04113



No.	Lev.	Parts No.	Description	Q'ty						I	R
				(A)	(B)	(C)	(D)	(E)	(F)		
1	1	796420-02900	HOUSING ASSY, GEARS	1							
1-1	1	796420-02901	HOUSING ASSY, UPPER	1							S
		(A=D2129)									
4	3	196420-02050	INSERT, LOCK 10X1.5	8							
5	3	196311-02080	PLUG	1							
5-1	3	23871-010000	PLUG, R01	1							R
		(A=DXXX)									
6	2	196420-02030	GUIDE, OIL	1							Z
		(A=D0820)									
7	2	196420-02040	SUPPORT, GUIDE	1							Z
		(A=D0820)									
8	2	196420-02060	LABEL, NAME	1							
9	2	196311-02120	SHIM SET	1							Z
		(A=*1984.01)									
10	2	196420-02141	HOUSING, BEARING	1							Z
		(A=D0909)									
11	2	196420-02151	COVER, UPPER	1							
11-1	2	196420-02152	COVER, UPPER	1							S
		(A=D0916)									
11-2	2	196420-02153	COVER, UPPER	1							N
		(A=*1992.11)									
12	2	196311-02160	RETAINER	1							Z
		(A=*1984.01)									
13	2	196420-02160	SUPPORT, BEARING	1							Z
		(A=D0916)									
14	2	196420-02170	SPACER, SEAL	1							Z
		(A=*1984.01)									
15	2	196420-02200	SHIM SET, 72	1							
16	2	101158-02220	SEAL, OIL	1							Z
		(A=*1984.01)									
17	2	196420-02250	SHIM SET, 82	1							
17-1	2	196420-02200	SHIM SET, 72	1							N
		(A=D0916)									
18	2	196420-02350	GAUGE, OIL LEVEL	1							
19	2	196420-02360	LABEL, LUB OIL	1							
19-1	2	196420-02361	LABEL, LUB. OIL	1							N
		(A=DXXX)									
19-2	2	196420-02362	LABEL	1							S
		(A=D0916)									
19-3	2	196420-02363	LABEL, LUB OIL	1							N
		(A=*1992.05)									
20	2	196420-02430	PLUG, M24	1							
21	2	196420-02440	LABEL, ZINC	1							
22	2	26206-080252	BOLT, M8X 25 PLATED	4							
23	2	24311-000110	O-RING, 1AP11.0	1							
24	2	24321-000250	O-RING, 1AG25.0	1							
25	2	24321-000650	O-RING, 1AG65.0	1							Z
		(A=*1984.01)									
26	2	24321-000750	O-RING, 1AG75.0	2							
26-1	2	24321-000750	O-RING, 1AG75.0	1							K
		(A=DXXX)									

Remarks
1)OPTIONAL

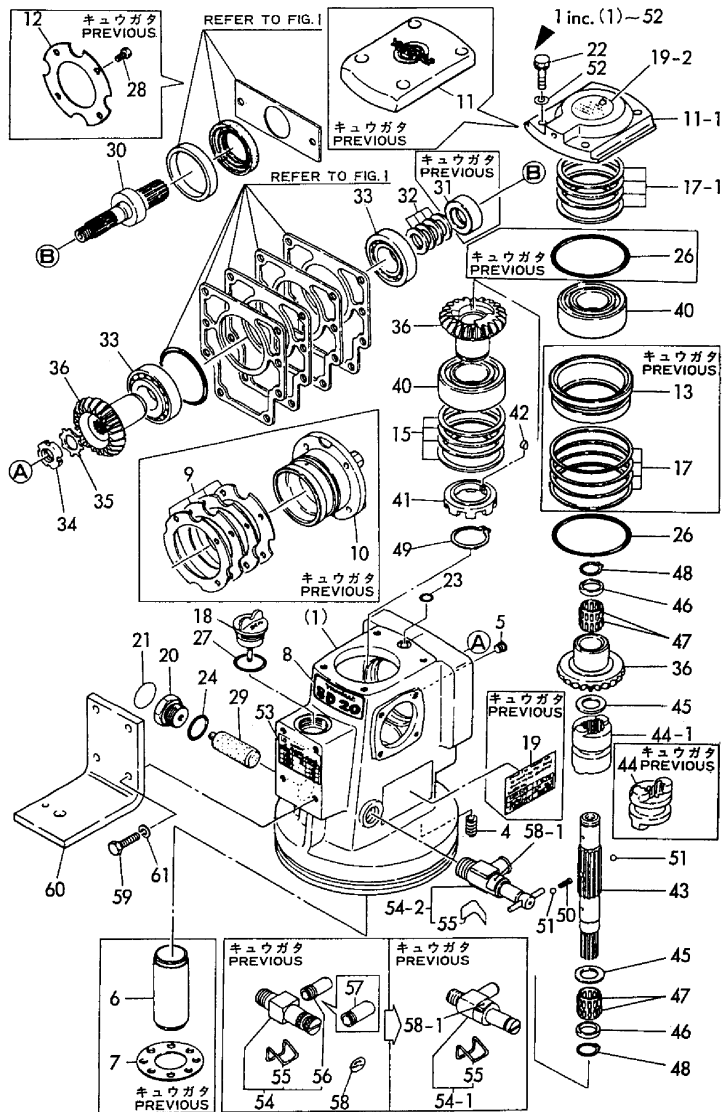
Fig.2. UPPER GEAR HOUSING

(A)=SD20
(B)=SD30
(C)=SD31

(D)=
(E)=
(F)=

Fig.2 アップギヤケース
UPPER GEAR HOUSING

SPEC. CODE
D96420-02072
D96420-04070
D96420-04260
D96420-04113



No.	Lev.	Parts No.	Description	Q'ty						I	R
				(A)	(B)	(C)	(D)	(E)	(F)		
27	2	24341-000320	O-RING, 1AS32.0	1							
28	2	26016-060302	BOLT M 6X 30	4							Z
(A=D0909)											
29	2	27210-200550	ZINC, SCREW20X55	1							
30	2	196420-04130	SHAFT, PINION	1							
31	2	196420-04140	COLLAR, SHAFT	1							Z
(A=*1983.10)											
32	2	196420-04150	SHIM SET, 20	1							
32-1	2	196312-04150	SHIM SET	1							N
(A=DXXX)											
33	2	24141-302060	BEARING, 30206	2							
34	2	24211-015002	NUT, BEARING 15	1							
35	2	24231-015000	WASHER 15	1							
36	2	196420-04700	GEAR ASSY, UPPER	1							
40	2	24512-052074	BEARING, BALL 5207	2							
41	2	196311-04271	PUMP, OIL	1							
42	2	196311-04280	KEY, 4X13	1							
43	2	196311-04300	SHAFT, CLUTCH	1							
44	2	196420-04310	DOG, CLUTCH	1							
44-1	2	196311-04310	DOG, CLUTCH	1							S
(A=D2129)											
45	2	196311-04320	COLLAR, GEAR	2							
46	2	196311-04340	COLLAR	2							
47	2	196311-04350	NEEDLE BERG.#K202413	4							
48	2	196311-04360	CIRCLIP	2							
48-1	2	24164-000202	CIRCLIP, 20	2							N
(A=DXXX)											
49	2	22242-000350	RING, 35	1							
50	2	189060-26760	SPRING	1							W
(A=D2129)											
51	2	24190-080001	BALL, STEEL 1/4	2							W
(A=D2129)											
52	2	22217-080000	WASHER, SPRING 8	4							
53	1	196420-02320	LABEL, ABSORBER	1							
54	1	196420-02402	COCK W/JOINT,C.WATER	1							
54-1	1	196420-02390	COCK ASSY, C. WATER	1							N
(A=DXXX)											
54-2	1	196420-02391	COCK ASSY, C. WATER	1							N
(A=D5204)											
55	2	196420-02981	SPRING	1							
56	2	196420-02991	JOINT 14	1							Z
(A=D0755)											
57	1	196420-02420	JOINT, 18	1							Z 1
(A=DXXX)											
58	1	196420-02411	LABEL, C.W. COCK	1							
58-1	1	196420-02412	LABEL, C.W. COCK	1							N
(A=DXXX)											
59	1	26206-080252	BOLT, M8X 25 PLATED	4							
60	1	196420-02300	BRACKET	1							
61	1	22217-080000	WASHER, SPRING 8	4							

Remarks
1)OPTIONAL

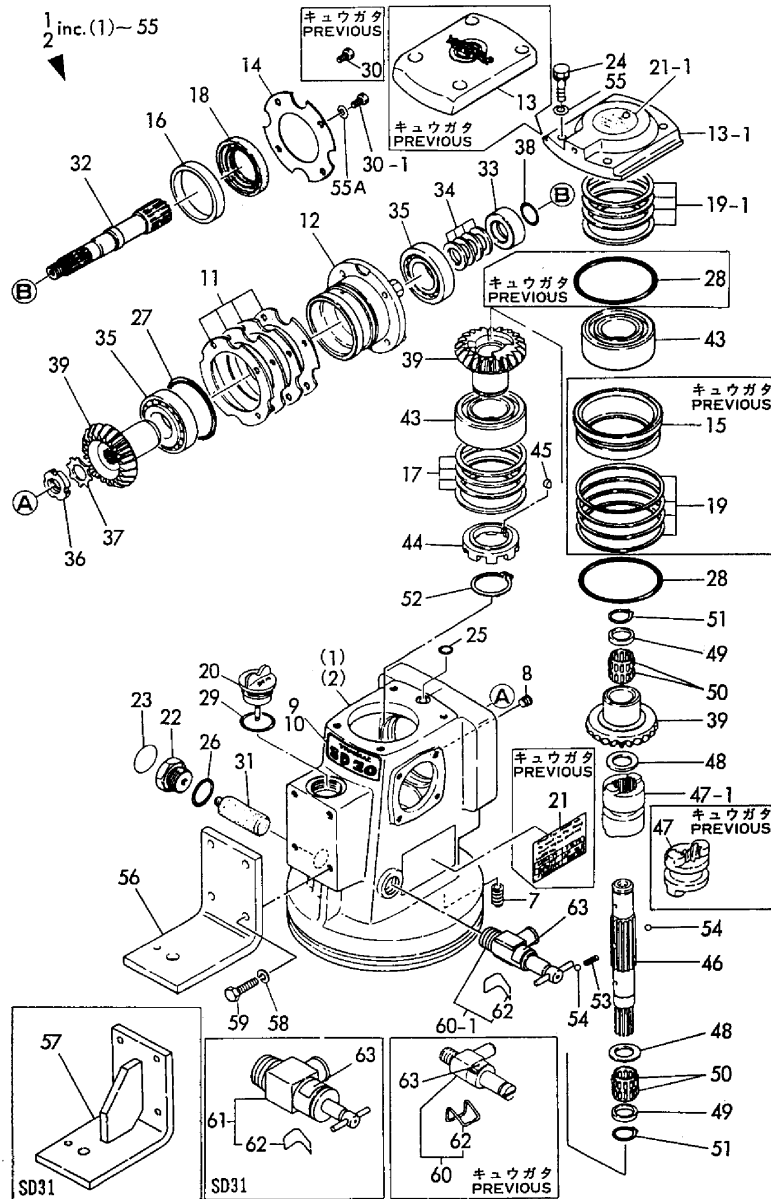
Fig.3. UPPER GEAR HOUSING

(A)=SD20
(B)=SD30
(C)=SD31

(D)=
(E)=
(F)=

Fig.3 アップギヤケース
UPPER GEAR HOUSING

SPEC. CODE
D96430-02070
D96431-02070
D96430-04070
D96420-04260
D96420-04113



No.	Lev.	Parts No.	Description	Q'ty						I	R
				(A)	(B)	(C)	(D)	(E)	(F)		
1	1	796430-02900	HOUSING ASSY, GEARS	1							
1-1	1	796430-02901 (B=D0107)	HOUSING ASSY, GEAR	1							S
2	1	796431-02900	HOUSING ASSY, GEAR				1				
7	3	196420-02050	INSERT, LOCK 10X1.5	8	8						
8	3	196311-02080	PLUG	1							
8-1	3	23871-010000 (B=DXXX)	PLUG, R01	1	1						R
9	2	196430-02060	LABEL, NAME	1							
10	2	196431-02060	LABEL, NAME				1				
11	2	196311-02120	SHIM SET	1	1						
12	2	196420-02141	HOUSING, BEARING	1	1						
13	2	196420-02151	COVER, UPPER	1							
13-1	2	196420-02152 (B=D0026)	COVER, UPPER	1							S
13-2	2	196420-02153 (B=*1992.11)	COVER, UPPER	1	1						N
14	2	196311-02160	RETAINER	1	1						
15	2	196420-02160 (B=D0026)	SUPPORT, BEARING	1	1						Z
16	2	196420-02170	SPACER, SEAL	1	1						
17	2	196420-02200	SHIM SET, 72	1	1						
18	2	101158-02220	SEAL, OIL	1	1						
19	2	196420-02250	SHIM SET, 82	1							
19-1	2	196420-02200 (B=D0026)	SHIM SET, 72	1	1						N
20	2	196420-02350	GAUGE, OIL LEVEL	1	1						
21	2	196420-02361	LABEL, LUB. OIL	1							
21-1	2	196420-02362 (B=D0026)	LABEL	1							S
21-2	2	196420-02363 (B=*1992.05)	LABEL, LUB OIL	1	1						
22	2	196420-02430	PLUG, M24	1	1						
23	2	196420-02440	LABEL, ZINC	1	1						
24	2	26206-080252	BOLT, M8X 25 PLATED	4	4						
25	2	24311-000110	O-RING, 1AP11.0	1	1						
26	2	24321-000250	O-RING, 1AG25.0	1	1						
27	2	24321-000650	O-RING, 1AG65.0	1	1						
28	2	24321-000750	O-RING, 1AG75.0	2							
28-1	2	24321-000750 (B=DXXX)	O-RING, 1AG75.0	1	1						K
29	2	24341-000320	O-RING, 1AS32.0	1	1						
30	2	26016-060302	BOLT M 6X 30	4	4						
30-1	2	26116-060302 (B=*1992.12) (C=*1992.12)	BOLT, M6X 30 PLATED	4	4						Q
31	2	27210-200550	ZINC, SCREW20X55	1	1						
32	2	196430-04130	SHAFT, PINION	1	1						
33	2	196420-04140	COLLAR, SHAFT	1	1						
34	2	196312-04150	SHIM SET	1	1						
35	2	24141-302060	BEARING, 30206	2	2						
36	2	24211-015002	NUT, BEARING 15	1	1						

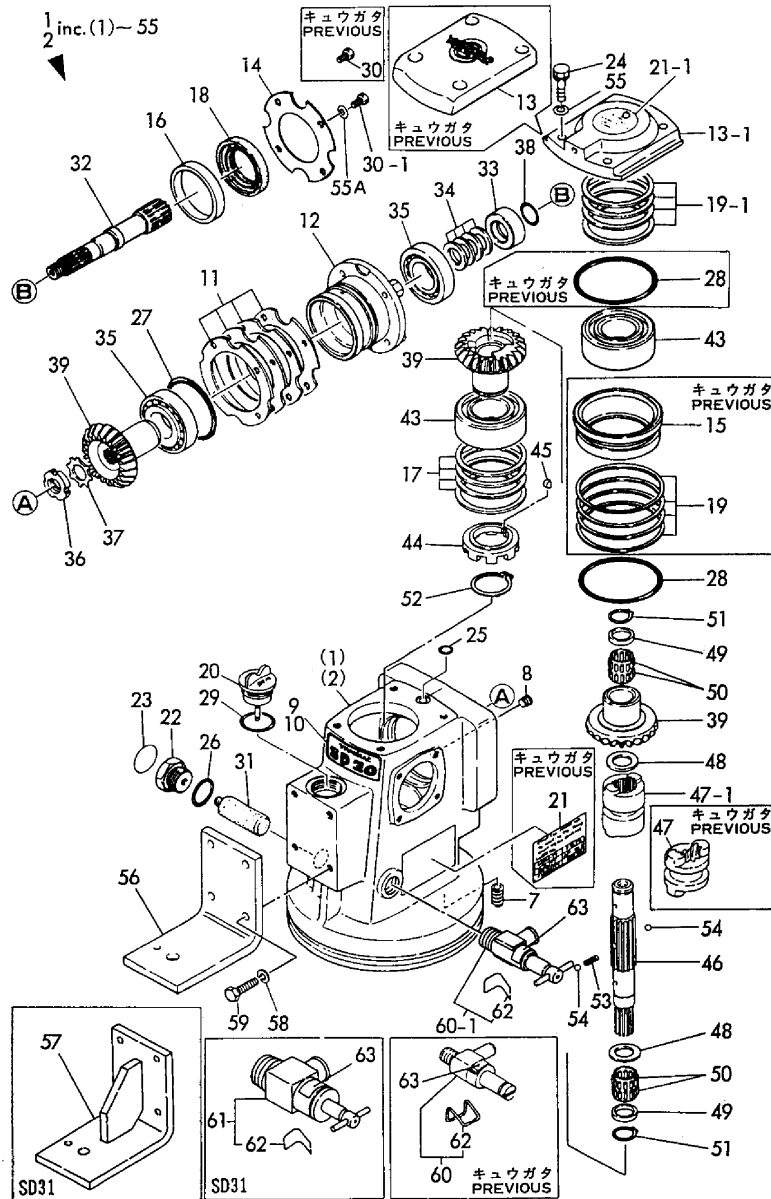
Fig.3. UPPER GEAR HOUSING

(A)=SD20
(B)=SD30
(C)=SD31

(D)=
(E)=
(F)=

Fig.3 アップギヤケース
UPPER GEAR HOUSING

SPEC. CODE
D96430-02070
D96431-02070
D96430-04070
D96420-04260
D96420-04113



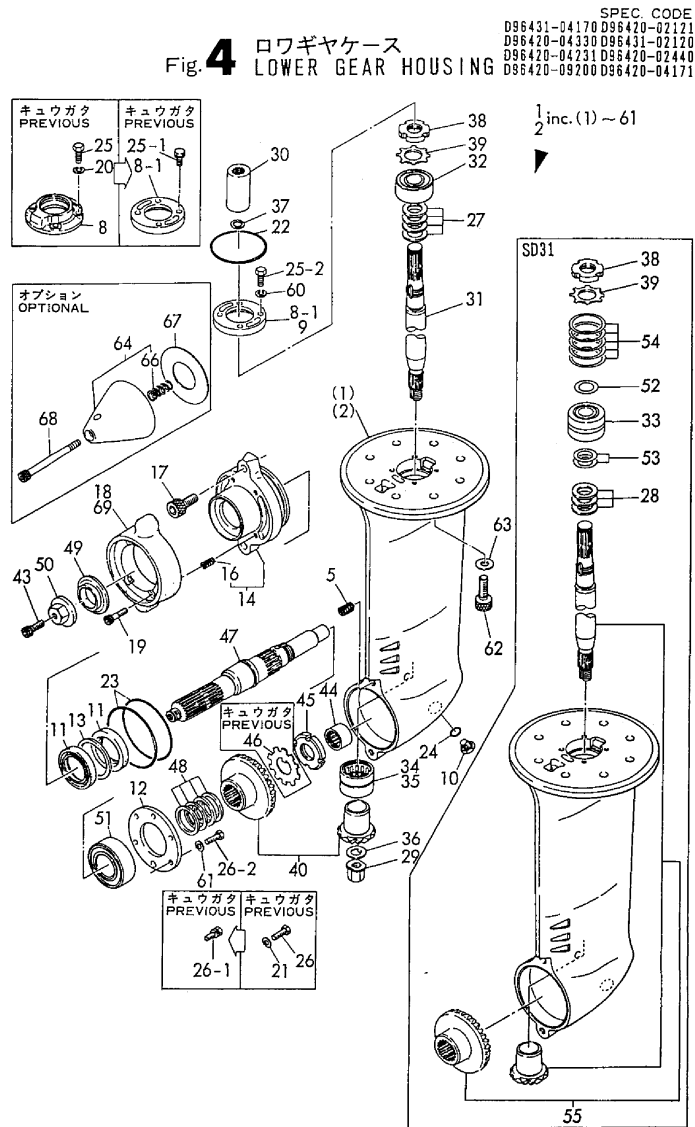
No.	Lev.	Parts No.	Description	Q'ty						I	R
				(A)	(B)	(C)	(D)	(E)	(F)		
37	2	24231-015000	WASHER 15		1	1					
38	2	24311-000200	O-RING, 1AP20.0		1	1					
39	2	196420-04700	GEAR ASSY, UPPER		1	1					
43	2	24512-052074	BEARING, BALL 5207		2	2					
44	2	196311-04271	PUMP, OIL		1	1					
45	2	196311-04280	KEY, 4X13		1	1					
46	2	196311-04300	SHAFT, CLUTCH		1	1					
47	2	196420-04310	DOG, CLUTCH		1						
47-1	2	196311-04310	DOG, CLUTCH		1	1					S
(B=D0107)											
48	2	196311-04320	COLLAR, GEAR		2	2					
49	2	196311-04340	COLLAR		2	2					
50	2	196311-04350	NEEDLE BERG.#K202413		4	4					
51	2	196311-04360	CIRCLIP		2						
51-1	2	24164-000202	CIRCLIP, 20		2	2					N
(B=DXXX)											
52	2	22242-000350	RING, 35		1	1					
53	2	189060-26760	SPRING		1	1					W
(B=D0107)											
54	2	24190-080001	BALL, STEEL 1/4		2	2					W
(B=D0107)											
55	2	22217-080000	WASHER, SPRING 8		4	4					
55A	2	22282-060000	WASHER 6		4	4					W
(B=*1992.12) (C=*1992.12)											
56	1	196420-02300	BRACKET		1						
57	1	196431-02300	FOOT, MOUNTING			1					
58	1	22217-080000	WASHER, SPRING 8		4	4					
59	1	26206-080252	BOLT, M8X 25 PLATED		4	4					
60	1	196420-02390	COCK ASSY, C. WATER		1						
60-1	1	196420-02391	COCK ASSY, C. WATER		1						N
(B=D0266)											
61	1	196431-02390	COCK			1					
62	2	196420-02981	SPRING		1	1					
63	1	196420-02412	LABEL, C.W COCK		1	1					

Fig.4. LOWER GEAR HOUSING

(A)=SD20
(B)=SD30
(C)=SD31

(D)=
(E)=
(F)=

Fig.4 ロワギヤケース
LOWER GEAR HOUSING



No.	Lev.	Parts No.	Description	Q'ty						I	R	
				(A)	(B)	(C)	(D)	(E)	(F)			
1	1	796420-02910	HOUSING ASSY, GEARS	1								
1-1	1	796420-02911	HOUSING ASSY	1	1						F 1	
(A=D0821)												
2	1	796431-02910	HOUSING ASSY, GEAR								1	
5	3	196420-02050	INSERT, LOCK 10X1.5	2	2						2	
8	2	196420-02520	SUPPORT, BEARING	1								
8-1	2	196313-02510	SUPPORT, BEARING	1	1						F 1	
(A=D0821)												
9	2	196431-02520	SUPPORT, BEARING								1	
10	2	196420-02530	PLUG, M10	1	1						1	
11	2	196313-02590	SEAL, OIL	2	2						2	
12	2	196420-02590	RETAINER, BEARING	1	1						1	
13	2	196313-02600	SPACER	1	1						1	
14	2	196420-02601	COVER ASSY, REAR	1	1						1	
16	3	196420-02620	INSERT, LOCK 6X1.5	4	4						4	
17	2	196420-02630	BOLT M10X25	2								
17-1	2	26453-100252	BOLT, M10X 25	2	2	2					R	
(A=DXXX)												
18	2	196420-02651	ZINC, ANTICORROSIVE	1	1						1	
19	2	196420-02661	BOLT M 6X 20	4								
19-1	2	26453-060202	BOLT, M6X 20	4	4						R	
(A=DXXX)												
20	2	22287-060000	WASHER 6	4							Z	
(A=DXXX)												
21	2	22287-060000	WASHER 6	5							Z	
(A=DXXX)												
22	2	24321-000750	O-RING, 1AG75.0	1	1						1	
23	2	24321-000950	O-RING, 1AG95.0	2	2						2	
24	2	24341-000125	O-RING, 1AS12.5	1	1						1	
25	2	26116-060202	BOLT, M6X 20 PLATED	4								
25-1	2	26016-060202	BOLT, M6X 20	4	4						R	
(A=DXXX)												
25-2	2	26116-060202	BOLT, M6X 20 PLATED	4	4						Q	
(A=*1992.12) (B=*1992.12) (C=*1992.12)												
26	2	26116-060202	BOLT, M6X 20 PLATED	5								
26-1	2	26016-060202	BOLT, M6X 20	5	5						R	
(A=DXXX)												
26-2	2	26116-060202	BOLT, M6X 20 PLATED	5	5						Q	
(A=*1992.12) (B=*1992.12) (C=*1992.12)												
27	2	196311-04380	COLLAR SET, GEAR	1	1							
28	2	196313-04150	COLLAR SET								1	
29	2	196312-04400	NUT	1	1							
29-1	2	196312-04401	NUT, M14	1	1						R	
(A=*1986.01) (B=*1986.01)												
30	2	196311-04450	SLEEVE, SPLINE	1	1						1	
31	2	196420-04451	SHAFT, DRIVE	1	1							
32	2	196311-04470	BEARING D20/47 W21	1	1							
32-1	2	24512-052044	BEARING, BALL 5204	1	1						R	
(A=*1984.03) (B=*1984.03)												
33	2	196313-04470	BEARING								1	
34	2	196312-04480	BEARING, RNA69/28	1	1							

Remarks

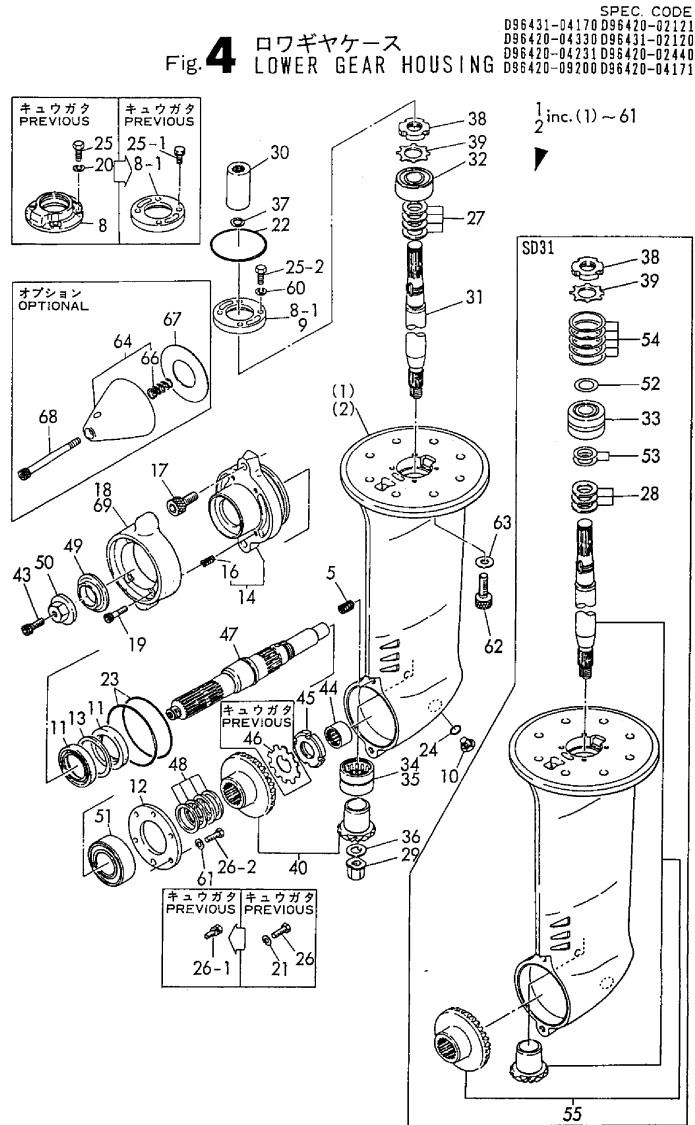
1)INTERCHANGEABLE BY SIMULTANEOUS REPLACEMENT WITH FIG2-REF NO.6 AND REF NO.7.

2)OPTIONAL

Fig.4. LOWER GEAR HOUSING

(A)=SD20
(B)=SD30
(C)=SD31
(D)=
(E)=
(F)=

Fig.4 ロウギヤケース
LOWER GEAR HOUSING



No.	Lev.	Parts No.	Description	Q'ty						I	R
				(A)	(B)	(C)	(D)	(E)	(F)		
35	2	196320-04760	BEARING, RNA4932RD2			1					
36	2	196311-04490	WASHER, 14	1	1	1					
37	2	22252-000160	RING, 16	1	1	1					
38	2	24211-020002	NUT, BEARING 20	1	1	1					
39	2	24231-020000	WASHER 20	1	1	1					
40	2	196420-04850	GEAR ASSY, LOWER	1	1						
43	2	196420-09260	BOLT, M8X25	1	1	1					
44	2	196311-04060	BEARING, NA5903	1	1	1					
45	2	196312-04410	NUT	1							
45-1	2	196313-04500	NUT, BEARING	1	1	1					N
		(A=DXXX)									
46	2	196312-04420	WASHER, BEARING 25	1							Z
		(A=DXXX)									
47	2	196420-04511	SHAFT, PROPELLER	1							
47-1	2	196420-04512	SHAFT, PROPELLER	1	1	1					N
		(A=DXXX)									
48	2	196311-04530	COLLAR SET, GEAR	1	1	1					
49	2	196420-09250	SPACER	1	1	1					
50	2	196420-09300	NUT, PROPELLER	1	1	1					
51	2	24512-053064	BEARING, BALL 5306	1	1	1					
52	2	196313-04180	COLLAR, BEARING 3.2			1					
53	2	196313-04350	SHIM SET, 20			1					
54	2	196313-04400	SHIM SET, 47			1					
55	2	196431-04850	GEAR SET, LOWER			1					
60	2	22282-060000	WASHER 6	4	4	4					W
		(A=*1992.12) (B=*1992.12) (C=*1992.12)									
61	2	22282-060000	WASHER 6	5	5	5					W
		(A=*1992.12) (B=*1992.12) (C=*1992.12)									
62	1	196420-02630	BOLT M10X25	8							
62-1	1	26453-100252	BOLT, M10X 25	8	8	8					R
		(A=DXXX)									
63	1	22113-100000	WASHER, 10	8	8	8					
64	1	196420-09200	NUT ASSY, PROPELLER	1	1	1					2
66	2	26273-160201	INSERT, 16X2.0D	1	1	1					2
67	1	196420-09220	WASHER, PROPELLER	1	1	1					2
68	1	26453-080752	BOLT, M8X 75	1	1	1					2
69	1	196420-02640	ZINC, ANTI-CORROSIVE	1	1	1					W 2
		(A=*1992.06) (B=*1992.06) (C=*1992.06)									

Remarks

1)INTERCHANGEABLE BY SIMULTANEOUS REPLACEMENT WITH FIG2-REF NO.6 AND REF NO.7.

2)OPTIONAL

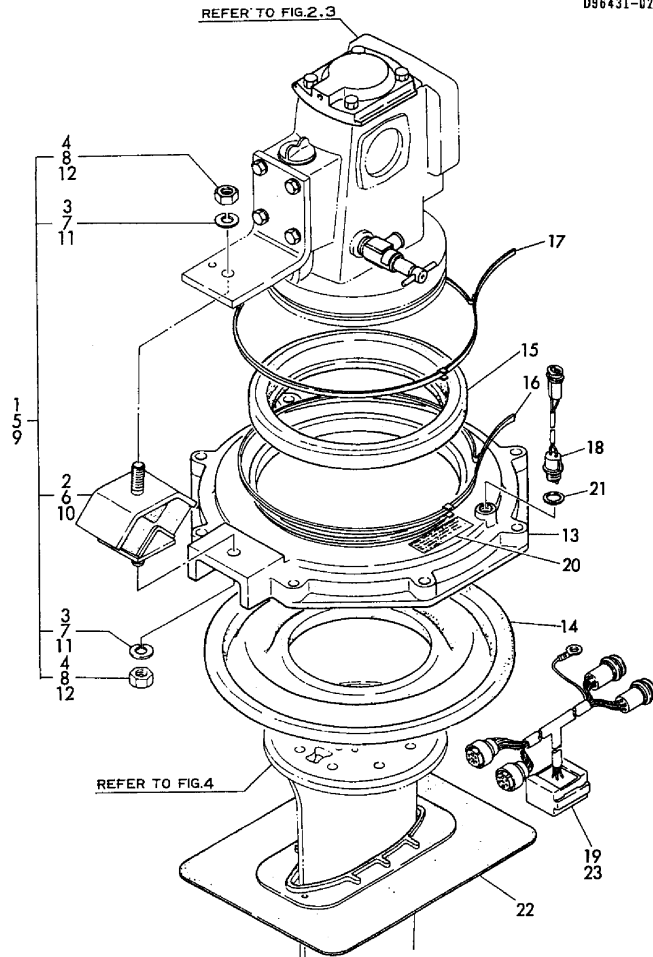
Fig.5. RUBBER MOUNT & SEAL FLANGE

(A)=SD20
(B)=SD30
(C)=SD31

(D)=
(E)=
(F)=

Fig.5 ボウシゴム&シールフランジ
RUBBER MOUNT&SEAL FLANGE

SPEC. CODE
D96420-02203
D96420-02213
D96420-02223
D96420-02261
D96420-02350
D96431-02350



No.	Lev.	Parts No.	Description	Qty						I	R
				(A)	(B)	(C)	(D)	(E)	(F)		
1	1	796420-08610	ABSORBER ASSY, SHOCK	1							1
2	2	121575-08340	ABSORBER	1							
3	2	22217-120000	WASHER, SPRING 12	2							
4	2	26716-120002	NUT, M12	2							
4-1	2	26706-120002	NUT, M12	2							R
(A=*1992.11)											
5	1	796420-08620	ABSORBER ASSY, SHOCK	1							2
6	2	129795-08340	ABSORBER, 150	1							
7	2	22217-120000	WASHER, SPRING 12	2							
8	2	26716-120002	NUT, M12	2							
8-1	2	26706-120002	NUT, M12	2							R
(A=*1992.11)											
9	1	796420-08630	ABSORBER ASSY, SHOCK	1	1	1					3
10	2	196420-02310	ABSORBER, SHOCK 230	1	1	1					
11	2	22217-120000	WASHER, SPRING 12	2	2	2					
12	2	26716-120002	NUT, M12	2	2	2					
12-1	2	26706-120002	NUT, M12	2	2	2					R
(A=*1992.11) (B=*1992.11) (C=*1992.11)											
13	1	196420-02700	FLANGE, SEAL	1	1	1					
14	1	196420-02710	DIAPHRAGM	1	1	1					
15	1	196420-02720	DIAPHRAGM	1	1	1					
16	1	196420-02730	BAND, 199	1	1	1					
17	1	196420-02740	BAND, 236	1	1	1					
18	1	196420-02801	SENSOR, SEAL	1	1	1					
19	1	196420-02811	AMP, SENSOR	1	1						
20	1	196420-02820	LABEL	1	1	1					
21	1	23418-140000	GASKET, 14X1.0	1	1	1					
22	1	196420-02550	RUBBER, PROTECTION	1	1	1					
23	1	196431-02810	AMP, SENSOR								1

Remarks

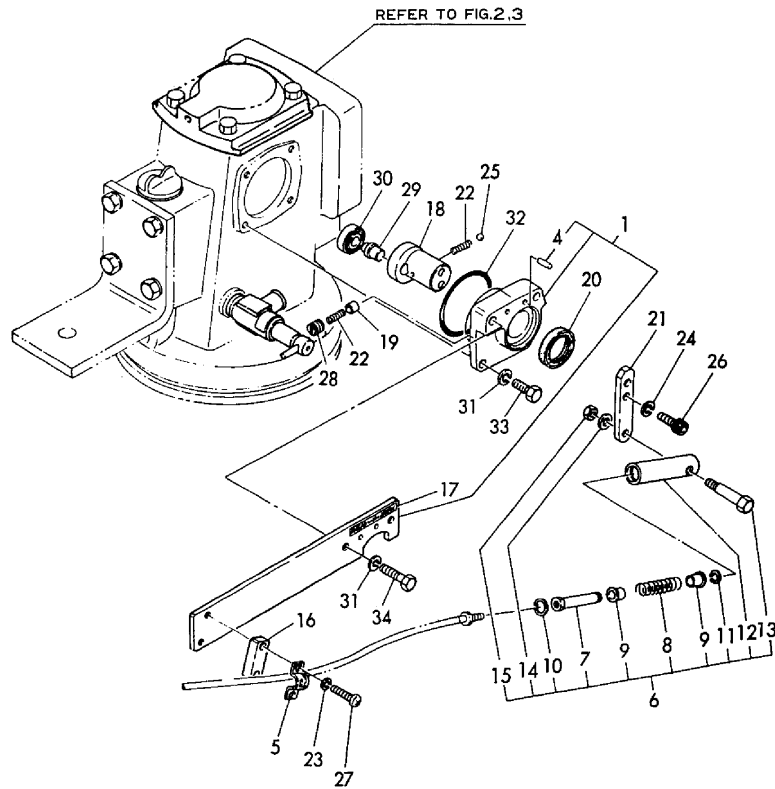
- 1)FOR 1GM
- 2)FOR 2GM
- 3)FOR 3GM(ONLY SD20)

Fig.6. SHIFT LEVER(PREVIOUS)

(A)=SD20
(B)=SD30
(C)=SD31

(D)=
(E)=
(F)=

Fig.6 シフトレバー (キュウガタ)
SHIFT LEVER (PREVIOUS)



No.	Lev.	Parts No.	Description	Qty						I	R
				(A)	(B)	(C)	(D)	(E)	(F)		
1	1	196420-06050	SUPPORT ASSY, LEVER	1	1						
4	2	22312-040080	PIN, PARALLEL M4X 8	2	2						
5	1	196420-06080	CLAMP	1	1						
6	1	177088-06090	CONNECTOR ASSY	1							
6-1	1	196430-06600 (A=DXXX)	JOINT ASSY, SPRING	1	1						N
7	2	177088-06120	CONNECTOR	1	1						
8	2	177088-06170	SPRING	1							
8-1	2	196430-06610 (A=DXXX)	SPRING	1	1						N
9	2	177088-06140	RETAINER, SPRING	2	2						
10	2	177088-06150	CIRCLIP	1	1						
11	2	177088-06160	CIRCLIP	1	1						
12	2	177088-06110	HOLDER	1	1						
13	2	177088-06100	CONNECTOR	1	1						
14	2	22117-060000	WASHER, 6	2	2						
15	2	26756-060002	NUT, LOCK M6	1	1						
16	1	196420-06090	WASHER	1	1						
17	1	196420-06100	LABEL, LEVER POSITION	1	1						
18	1	196420-06110	SHAFT, CONTROL	1	1						
19	1	196420-06120	PIN, KNOCK	1	1						
20	1	196420-06140	SEAL TC253506, OIL	1	1						
21	1	196420-06200	LEVER, SHIFT	1	1						
22	1	189060-26760	SPRING	2	2						
23	1	22287-050000	WASHER, 5	2	2						
24	1	22287-060000	WASHER 6	2	2						
25	1	24190-080001	BALL, STEEL 1/4	1	1						
26	1	26450-060142	BOLT, M6X 14	2							
26-1	1	26450-060162 (A=DXXX)	BOLT, M6X 16	2	2						Q
27	1	26557-050162	SCREW, M5X16	2	2						
28	1	26911-100102	SCREW, M10X10	1	1						
29	1	196420-06161	SHAFT, BEARING	1	1						
30	1	196420-06170	BEARING, 609	1	1						
31	1	22287-060000	WASHER 6	2	2						
32	1	24321-000550	O-RING, 1AG55.0	1	1						
33	1	26116-060202	BOLT, M6X 20 PLATED	2							
33-1	1	26016-060202 (A=DXXX)	BOLT, M6X 20	2	2						R
34	1	26116-060352	BOLT, M6X 35 PLATED	2	2						

Fig.7. SHIFT LEVER(NEW)

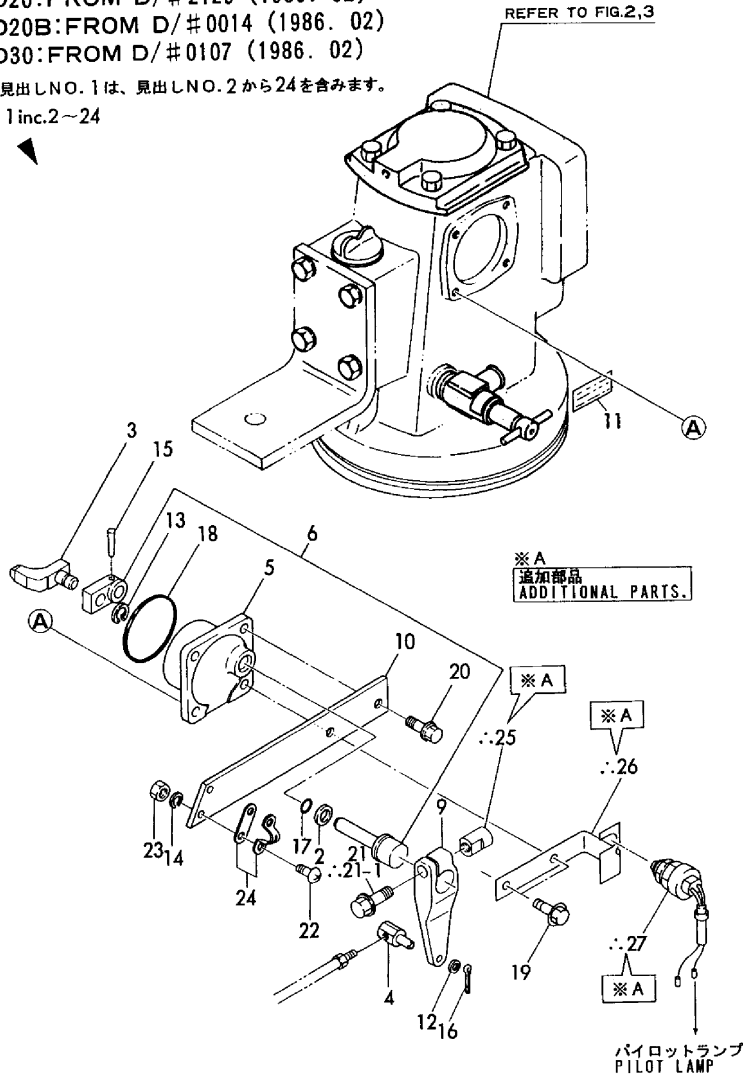
発行No. 000Y00F4021-1
更新年月: 1994. 9
REVISED: Sep., 1994

SPEC. CODE
D96420-06261
D96420-06270

Fig.7 シフトレバー (シンガタ)
SHIFT LEVER (NEW)

SD20: FROM D/#2129 (1986. 02)
SD20B: FROM D/#0014 (1986. 02)
SD30: FROM D/#0107 (1986. 02)

見出しNO. 1は、見出しNO. 2 から24を含みます。
1 inc.2~24



(A)=SD20
(B)=SD30
(C)=SD31

(D)=
(E)=
(F)=

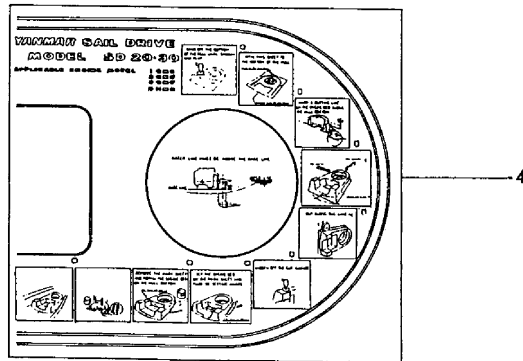
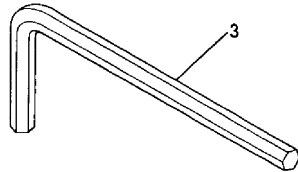
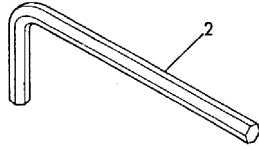
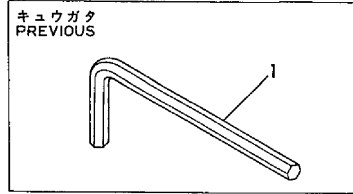
No.	Lev.	Parts No.	Description	Qty						I	R
				(A)	(B)	(C)	(D)	(E)	(F)		
1	1	796420-06261	LEVER ASSY, SHIFT	1	1	1					
2	2	196311-03300	WASHER, THRUST	1	1	1					
3	2	196311-06080	SHIFTER	1	1	1					
4	2	177073-06200	PIVOT	1	1	1					
5	2	196420-06250	SUPPORT, LEVER	1	1	1					
6	2	196420-06260	SHAFT ASSY, SHIFT	1	1	1					
9	2	196420-06280	LEVER, SHIFT	1	1	1					
10	2	196420-06290	BRACKET, CABLE	1	1	1					
11	2	196420-06300	LABEL	1	1	1					
12	2	22137-060000	WASHER, 6	1	1	1					
13	2	22242-000100	RING, 10	1	1	1					
14	2	22287-050000	WASHER, 5	2	2	2					
15	2	22301-040250	PIN, TAPER 4X25	1	1	1					
16	2	22417-160120	PIN, COTTER 1.6X12	1	1	1					
17	2	24311-000100	O-RING, 1AP10.0	1	1	1					
18	2	24321-000550	O-RING, 1AG55.0	1	1	1					
19	2	26106-060182	BOLT, M6X 18 PLATED	2	2	2					
20	2	26106-060222	BOLT, M6X 22 PLATED	2	2	2					
21	2	26106-080252	BOLT, M8X 25 PLATED	1	1	1					
21-1	2	26106-080302	BOLT, M8X 30 PLATED	1	1	1					N
		(A=*1994.04) (B=*1994.04) (C=*1994.04)									
22	2	26557-050162	SCREW, M5X16	2	2	2					
23	2	26716-050002	NUT, M5	2	2	2					
24	2	41710-000410	CLAMP	1	1	1					
25	1	196420-06400	SETTING, SWITCH	1	1	1					W
		(A=*1994.04) (B=*1994.04) (C=*1994.04)									
26	1	196420-06410	BRACKET, SWITCH	1	1	1					W
		(A=*1994.04) (B=*1994.04) (C=*1994.04)									
27	1	120270-77101	SWITCH, SAFETY	1	1	1					W
		(A=*1994.04) (B=*1994.04) (C=*1994.04)									

印が今回変更(追記)した箇所です。
MARKED PART HAS BEEN CHANGED (ADDED).

Fig.8. TOOL

Fig. 8 コウゲ
TOOL

SPEC. CODE
D96420-92012



(A)=SD20
(B)=SD30
(C)=SD31

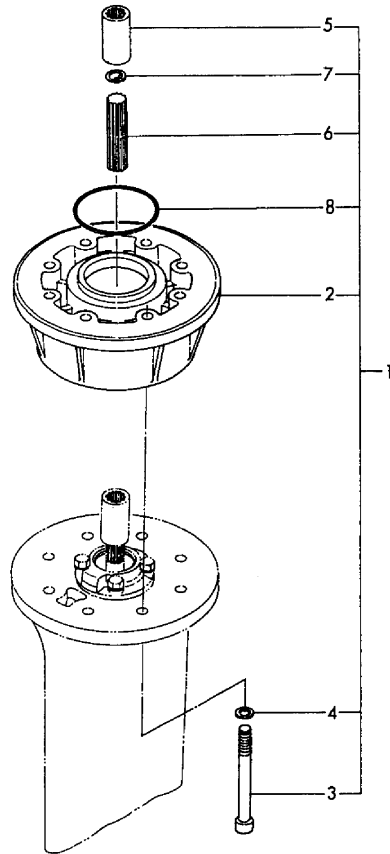
(D)=
(E)=
(F)=

No.	Lev.	Parts No.	Description	Q'ty						I	R
				(A)	(B)	(C)	(D)	(E)	(F)		
1	1	28150-050000 (A=DXXX)	WRENCH, BAR 5 (B=DXXX)	1	1						Z
2	1	28150-060000	WRENCH, BAR 6	1	1	1					
3	1	28150-080000	WRENCH, BAR 8	1	1	1					
4	1	196420-92010 (A=DXXX)	SHEET, MARK (B=DXXX)	1	1	1					W

Fig.9. EXTENSION 80(OPTIONAL)

Fig. 9 エクステンション 80 (オプション)
EXTENSION 80 (OPTIONAL)

SPEC. CODE
D96420-02400

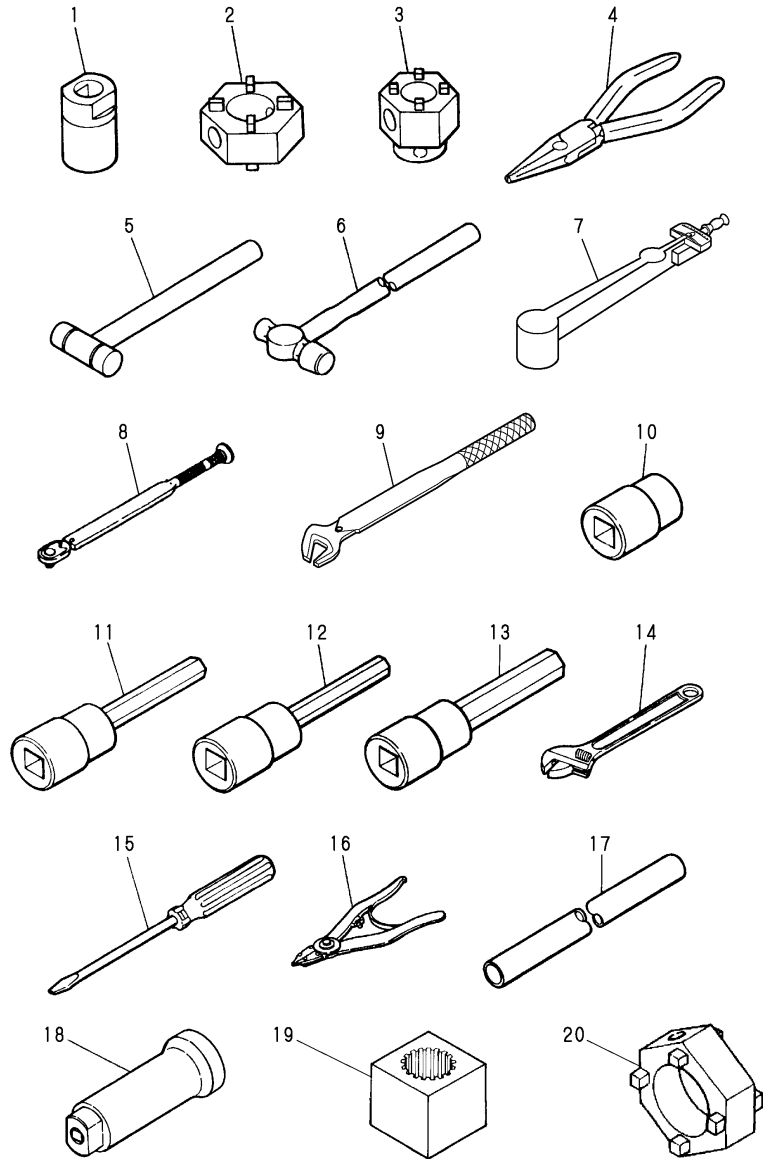


(A)=SD20
(B)=SD30
(C)=SD31
(D)=
(E)=
(F)=

No.	Lev.	Parts No.	Description	Q'ty						I	R
				(A)	(B)	(C)	(D)	(E)	(F)		
1	1	796420-02400	EXTENSION ASSY, 80	1	1	1					
2	2	196420-02850	EXTENSION, 80	1	1	1					
3	2	196420-02860	BOLT, M10X105	8	8	8					
4	2	22113-100000	WASHER, 10	8	8	8					
5	2	196311-04450	SLEEVE, SPLINE	1	1	1					
6	2	196420-04400	SHAFT, SPLINE 80	1	1	1					
7	2	22252-000160	RING, 16	1	1	1					
8	2	24321-000750	O-RING, 1AG75.0	2	2	2					

Fig.10. SPECIAL TOOL(A)(OPTIONAL)

P/C NEWS No:Y00F4021-2
PUBLISHED:2004/4



No.	Lev.	Parts No.	Description	Qty						I	R
				(A)	(B)	(C)	(D)	(E)	(F)		
1	1	196311-92010	TOOL, SPLINE SOCKET	1	1	1					
2	1	196311-92020	TOOL, BEARING NUT	1	1	1					
3	1	196311-92030	TOOL, BEARING NUT	1	1	1					
4	1	196311-92300	WRENCH	1	1	1					
5	1	196311-92320	HAMMER,PLASTIC 0.3KG	1	1	1					
6	1	196311-92330	HAMMER, 1 POUND	1	1	1					
7	1	196311-92350	WRENCH, TORQUE	1	1	1					
8	1	196311-92360	WRENCH, TORQUE	1	1	1					
9	1	196311-92370	WRENCH, TORQUE 10	1	1	1					
10	1	196311-92400	SOCKET, 13	1	1	1					
11	1	196311-92420	SOCKET, 6	1	1	1					
12	1	196420-92430	SPANNER, SOCKET 5	1	1	1					
13	1	196420-92440	SPANNER, SOCKET 8	1	1	1					
14	1	28120-002000	WRENCH, 200	1	1	1					
15	1	28130-081500	DRIVER, REVERSIBLE	1	1	1					
16	1	28190-000020	PLIERS,CIRCLIP	1	1	1					
17	1	28230-120200	HANDLE, TURN 12X200	2	2	2					
18	1	196320-92100	TOOL, BEARING 30N	1	1	1					W
		(A=DXXX)	(B=DXXX)	(C=DXXX)							
19	1	196320-92130	SOCKET, SPLINE 28	1	1	1					W
		(A=DXXX)	(B=DXXX)	(C=DXXX)							
20	1	196313-92030	TOOL, BEARING 30X35N	1	1	1					W 1
		(A=*2001.02)	(B=*2001.02)	(C=D/#05923)							

Remarks

(1)FOR FIG.4 NO.45-1 196313-04500 NUT

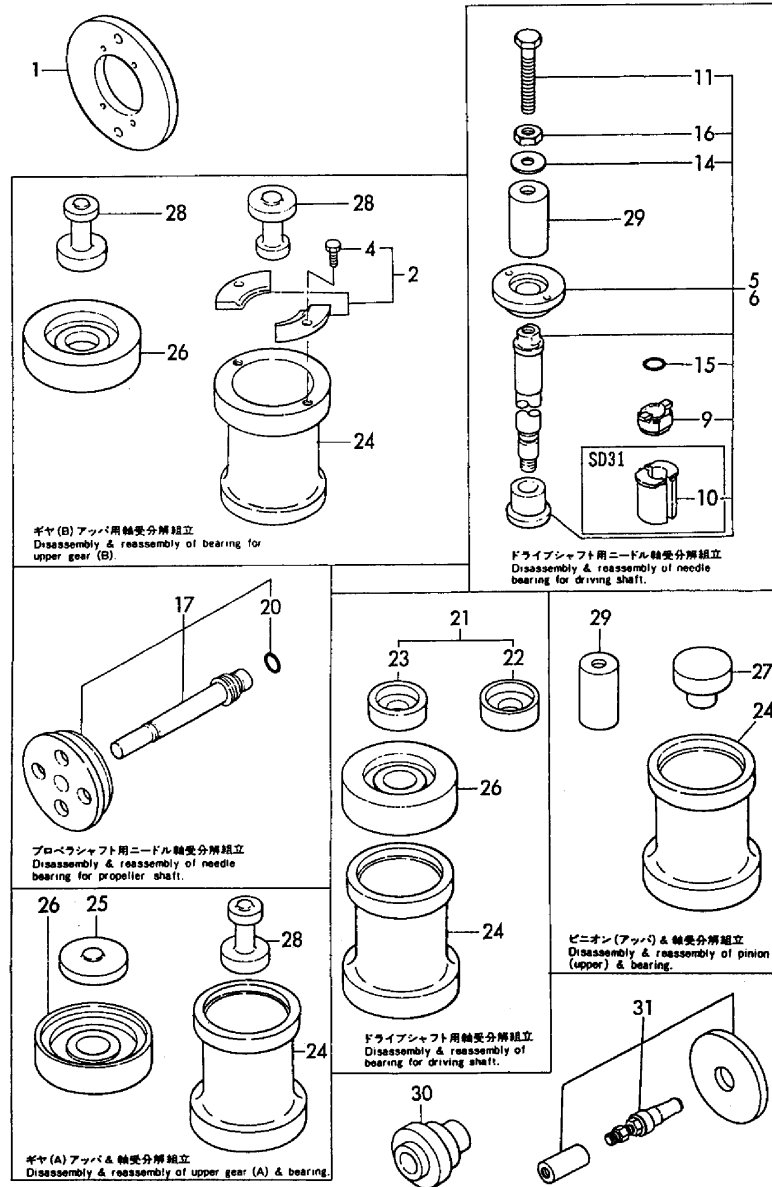
Fig.11. SPECIAL TOOL(B)(OPTIONAL)

(A)=SD20
(B)=SD30
(C)=SD31

(D)=
(E)=
(F)=

SPEC. CODE
D96420-92170
D96431-92170

Fig. 11 トクシュコウグ (B) (オプション)
SPECIAL TOOL (B) (OPTIONAL)



No.	Lev.	Parts No.	Description	Qty						I	R
				(A)	(B)	(C)	(D)	(E)	(F)		
1	1	196420-92040	TOOL, 70/148	1	1	1					
2	1	196420-92140	TOOL, B5207	1	1	1					
4	2	26116-080162	BOLT, M8X 16 PLATED	2	2	2					
5	1	196420-92150	TOOL ASSY, NB32X45	1	1						
6	1	196431-92150	TOOL ASSY, NB40X52			1					
9	2	196420-92680	TOOL, NB32X45	1	1						
10	2	196431-92680	TOOL, NB40X44			1					
11	2	196320-92700	BOLT, M12X100	1	1	1					
14	2	22131-120000	WASHER 12	1	1	1					
15	2	24311-000160	O-RING, 1AP16.0	1	1						
16	2	26711-120002	NUT, M12	1	1	1					
17	1	196420-92160	TOOL, NB22X30	1	1	1					
20	2	24311-000180	O-RING, 1AP18.0	1	1	1					
21	1	196420-92170	TOOL ASSY, B5204	1	1	1					
22	2	196311-92580	TOOL, BUILD-UP B52	1	1	1					
23	2	196311-92590	TOOL, BUILD-UP B47	1	1	1					
24	1	196420-92510	STAND, CONSTRUCT	1	1	1					
25	1	196420-92550	TOOL, 35X70	1	1	1					
26	1	196420-92560	TOOL, B73/88	1	1	1					
27	1	196311-92600	TOOL, BUILD-UP 30X62	1	1	1					
28	1	196311-92690	TOOL, 32X52	1	1	1					
29	1	196420-92690	TOOL, 30/36	1	1	1					
30	1	196420-92860	TOOL, OS 35X40	1	1	1					
31	1	196313-92660	TOOL KIT, PILLAR	1	1						W

(A)=*1992.12) (B)=*1992.12)

Parts No. Index

Parts No.	Fig. No.	Ref. No.
101158-02220	1	14
	2	16
	3	18
120270-77101	7	27
121575-08340	5	2
129795-08340	5	6
177073-06200	7	4
177088-06090	6	6
177088-06100	6	13
177088-06110	6	12
177088-06120	6	7
177088-06140	6	9
177088-06150	6	10
177088-06160	6	11
177088-06170	6	8
189060-26760	2	50
	3	53
	6	22
196311-02060	1	1
196311-02080	2	5
	3	8
196311-02120	2	9
	3	11
196311-02160	2	12
	3	14
196311-03300	7	2
196311-04060	4	44
196311-04271	2	41
	3	44
196311-04280	2	42
	3	45
196311-04300	2	43
	3	46
196311-04310	2	44 -1
	3	47 -1
196311-04320	2	45
	3	48
196311-04340	2	46
	3	49
196311-04350	2	47
	3	50
196311-04360	2	48
	3	51
196311-04380	4	27
196311-04450	4	30
	9	5
196311-04470	4	32
196311-04490	4	36
196311-04530	4	48
196311-06080	7	3

Parts No.	Fig. No.	Ref. No.
196311-92010	10	1
196311-92020	10	2
196311-92030	10	3
196311-92230	12	2
196311-92300	10	4
196311-92320	10	5
196311-92330	10	6
196311-92350	10	7
196311-92360	10	8
196311-92370	10	9
196311-92400	10	10
196311-92420	10	11
196311-92460	12	7
196311-92580	11	22
196311-92590	11	23
196311-92600	11	27
196311-92690	11	28
196312-04150	2	32 -1
	3	34
196312-04400	4	29
196312-04401	4	29 -1
196312-04410	4	45
196312-04420	4	46
196312-04480	4	34
196313-02510	4	8 -1
196313-02590	4	11
196313-02600	4	13
196313-04150	4	28
196313-04180	4	52
196313-04350	4	53
196313-04400	4	54
196313-04470	4	33
196313-04500	4	45 -1
196313-92030	10	20
196313-92660	11	31
196320-04760	4	35
196320-92100	10	18
196320-92130	10	19
196320-92700	11	11
196420-02030	2	6
196420-02040	2	7
196420-02050	2	4
	3	7
	4	5
196420-02060	2	8
196420-02110	1	2
196420-02111	1	2 -1
196420-02141	2	10
	3	12
196420-02151	2	11

Parts No.	Fig. No.	Ref. No.
196420-02151	3	13
196420-02152	2	11 -1
	3	13 -1
196420-02153	2	11 -2
	3	13 -2
196420-02160	2	13
	3	15
196420-02170	1	12
	2	14
	3	16
196420-02180	1	13
196420-02200	2	15
		17 -1
	3	17
		19 -1
196420-02250	2	17
	3	19
196420-02300	2	60
	3	56
196420-02310	5	10
196420-02320	2	53
196420-02350	2	18
	3	20
196420-02360	2	19
196420-02361	2	19 -1
	3	21
196420-02362	2	19 -2
	3	21 -1
196420-02363	2	19 -3
	3	21 -2
196420-02390	2	54 -1
	3	60
196420-02391	2	54 -2
	3	60 -1
196420-02402	2	54
196420-02411	2	58
196420-02412	2	58 -1
	3	63
196420-02420	2	57
196420-02430	2	20
	3	22
196420-02440	2	21
	3	23
196420-02470	1	15
196420-02520	4	8
196420-02530	4	10
196420-02550	5	22
196420-02590	4	12
196420-02601	4	14
196420-02620	4	16

Parts No.	Fig. No.	Ref. No.
196420-02630	4	17
		62
196420-02640	4	69
196420-02651	4	18
196420-02661	4	19
196420-02700	5	13
196420-02710	5	14
196420-02720	5	15
196420-02730	5	16
196420-02740	5	17
196420-02801	5	18
196420-02811	5	19
196420-02820	5	20
196420-02850	9	2
196420-02860	9	3
196420-02981	2	55
	3	62
196420-02991	2	56
196420-04130	2	30
196420-04140	2	31
	3	33
196420-04150	2	32
196420-04310	2	44
	3	47
196420-04400	9	6
196420-04451	4	31
196420-04511	4	47
196420-04512	4	47 -1
196420-04700	2	36
	3	39
196420-04850	4	40
196420-06050	6	1
196420-06080	6	5
196420-06090	6	16
196420-06100	6	17
196420-06110	6	18
196420-06120	6	19
196420-06140	6	20
196420-06161	6	29
196420-06170	6	30
196420-06200	6	21
196420-06250	7	5
196420-06260	7	6
196420-06280	7	9
196420-06290	7	10
196420-06300	7	11
196420-06400	7	25
196420-06410	7	26
196420-09200	4	64
196420-09220	4	67

Parts No. Index

Parts No.	Fig. No.	Ref. No.
196420-09250	4	49
196420-09260	4	43
196420-09300	4	50
196420-92010	8	4
196420-92040	11	1
196420-92140	11	2
196420-92150	11	5
196420-92160	11	17
196420-92170	11	21
196420-92220	12	1
196420-92240	12	3
196420-92250	12	4
196420-92260	12	5
196420-92270	12	6
196420-92430	10	12
196420-92440	10	13
196420-92510	11	24
196420-92550	11	25
196420-92560	11	26
196420-92680	11	9
196420-92690	11	29
196420-92860	11	30
196430-02060	3	9
196430-02110	1	3
196430-04130	3	32
196430-06600	6	6 -1
196430-06610	6	8 -1
196431-02060	3	10
196431-02300	3	57
196431-02390	3	61
196431-02520	4	9
196431-02810	5	23
196431-04850	4	55
196431-92150	11	6
196431-92680	11	10
22113-100000	4	63
	9	4
22117-060000	6	14
22131-120000	11	14
22137-060000	7	12
22217-080000	1	7
		11
	2	52
		61
	3	55
		58
22217-120000	5	3
		7
		11
22242-000100	7	13

Parts No.	Fig. No.	Ref. No.
22242-000350	2	49
	3	52
22252-000160	4	37
	9	7
22282-060000	3	55 A
	4	60
		61
22287-050000	6	23
	7	14
22287-060000	4	20
		21
	6	24
		31
22301-040250	7	15
22312-040080	6	4
22417-160120	7	16
23418-140000	5	21
23871-010000	2	5 -1
	3	8 -1
24141-302060	2	33
	3	35
24164-000202	2	48 -1
	3	51 -1
24190-080001	2	51
	3	54
	6	25
24211-015002	2	34
	3	36
24211-020002	4	38
24231-015000	2	35
	3	37
24231-020000	4	39
24311-000100	7	17
24311-000110	2	23
	3	25
24311-000160	11	15
24311-000180	11	20
24311-000200	3	38
24321-000250	2	24
	3	26
24321-000550	6	32
	7	18
24321-000650	1	18
	2	25
	3	27
24321-000750	2	26
		26 -1
	3	28
		28 -1
	4	22

Parts No.	Fig. No.	Ref. No.
24321-000750	9	8
24321-000950	4	23
24341-000125	4	24
24341-000320	2	27
	3	29
24512-052044	4	32 -1
24512-052074	2	40
	3	43
24512-053064	4	51
26016-060202	4	25 -1
		26 -1
	6	33 -1
26016-060302	2	28
	3	30
26106-060182	7	19
26106-060222	7	20
26106-080252	7	21
26106-080302	7	21 -1
26116-060202	4	25
		25 -2
		26
		26 -2
	6	33
26116-060302	3	30 -1
26116-060352	6	34
26116-080162	11	4
26116-081102	1	10
26206-080252	1	9
	2	22
		59
	3	24
		59
26206-080302	1	8
26273-160201	4	66
26450-060142	6	26
26450-060162	6	26 -1
26453-060202	4	19 -1
26453-080752	4	68
26453-100252	4	17 -1
		62 -1
26557-050162	6	27
	7	22
26706-120002	5	4 -1
		8 -1
		12 -1
26711-120002	11	16
26716-050002	7	23
26716-120002	5	4
		8
		12

Parts No.	Fig. No.	Ref. No.
26756-060002	6	15
26911-100102	6	28
27210-200550	2	29
	3	31
28120-002000	10	14
28130-081500	10	15
28150-050000	8	1
28150-060000	8	2
28150-080000	8	3
28190-000020	10	16
28230-120200	10	17
41710-000410	7	24
796420-02400	9	1
796420-02900	2	1
796420-02901	2	1 -1
796420-02910	4	1
796420-02911	4	1 -1
796420-06261	7	1
796420-08610	5	1
796420-08620	5	5
796420-08630	5	9
796430-02900	3	1
796430-02901	3	1 -1
796431-02900	3	2
796431-02910	4	2