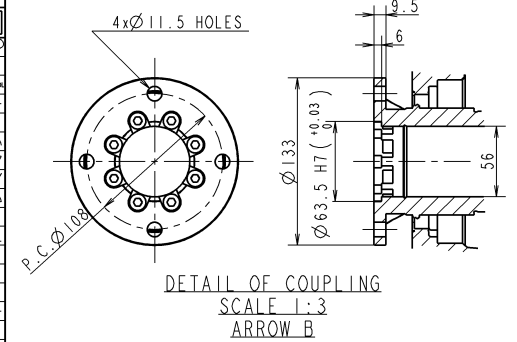
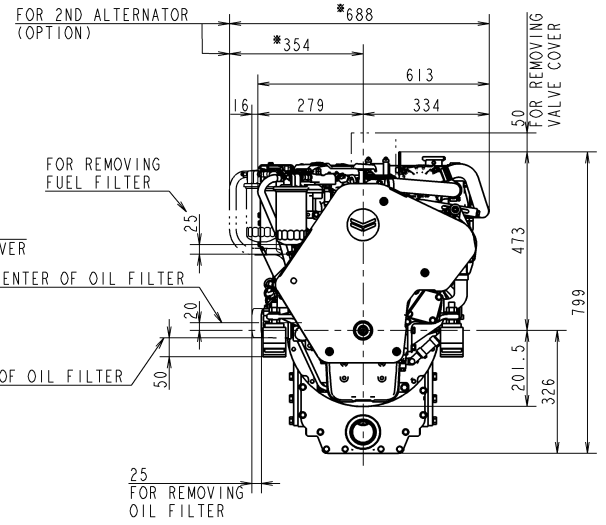
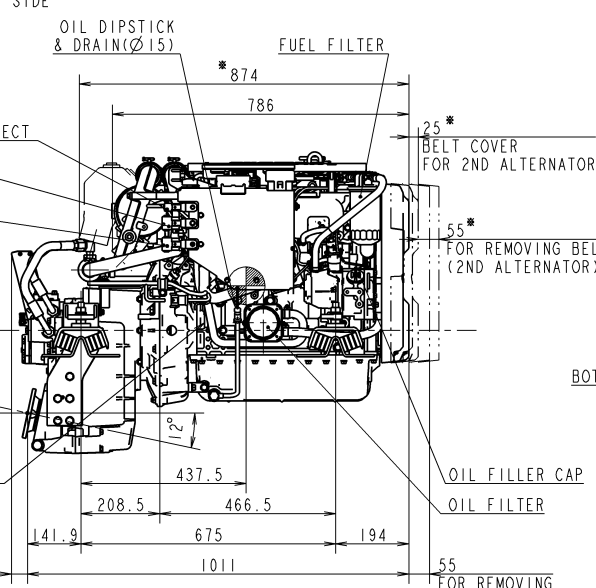
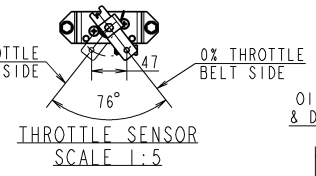
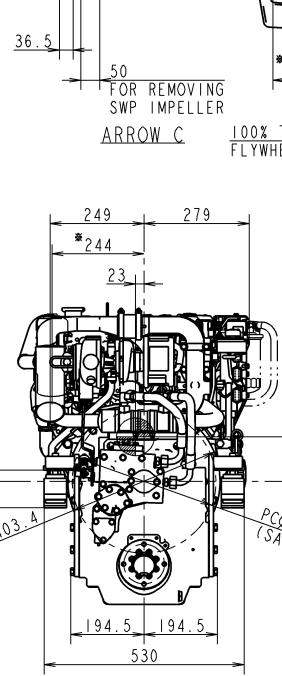
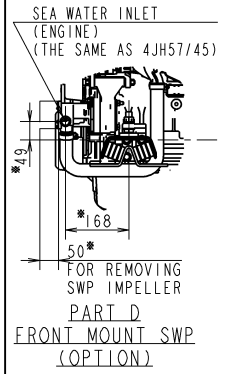
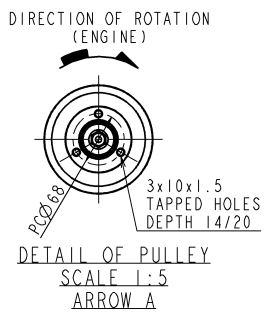
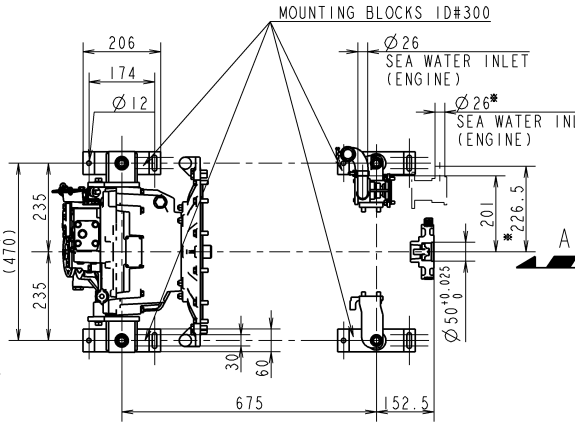
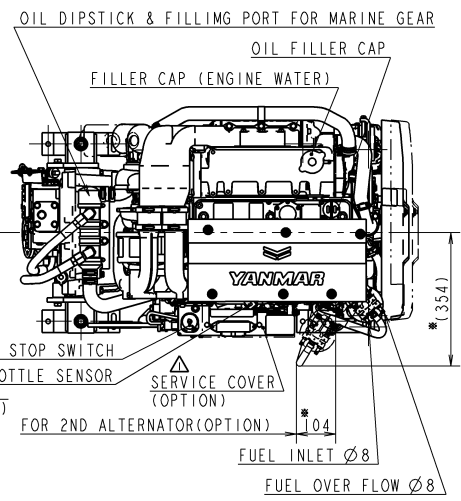
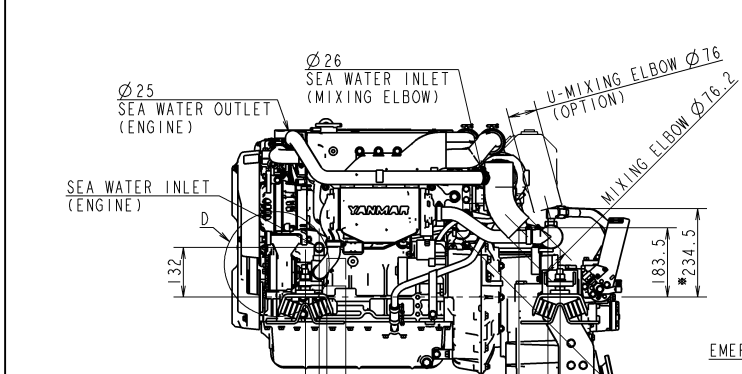


CAREER

(YDSBD-16002)
 REV.1(2018.3.20) CHANGE TOP COVER AND BELT COVER (YDSBD-18002)
 REV.2(2018.9.17) ADD 4JH80. (YDSJH-18024)(SH16A)



NOTE
 1. MOUNTING BLOCKS ARE COMPRESSED ABOUT 4mm BY ENGINE WEIGHT. DIMENSIONS OF MOUNTING BLOCK IN THIS DRAWING ARE WITHOUT ANY DEFORMATION.
 2. MOUNTING BLOCKS ARE EQUIPPED FOR STANDARD ACCESSORY.
 3. THE FIGURES MARKED WITH * SHOW THE DIMENSIONS WITH U-MIXING ELBOW, OR OPTIONAL PARTS.
 4. ● SHOWS THE CENTER OF GRAVITY.

SPECIFICATIONS		
Model	4JH110	4JH80
Continuous Power (ISO 8665)	kW/min ⁻¹ 73.6 / 3101 53.5 / 3101	
Fuel Stop Power	Propeller shaft (ISO 8665)	kW/min ⁻¹ --- ---
	Crankshaft (ISO 8665)	kW/min ⁻¹ 80.9 / 3200 58.8 / 3200
Reduction ratio	1.22 1.58 2.08 2.47 1.22 1.58 2.08 2.47	
Dry mass	kg Approx. 305	
Direction of Rotation at Output Coupling (Forward)	BOTH	

KMH50V MECHANICAL SHIFT

MANAGER 山口

SEC. MANAGER 志崎	MODEL 4JH110 4JH80	SCALE 1:10
CHECKED 北本	SPECIALIST 日比野	MATERIAL
DESIGNED K. Shiga	DRAWN F. Kishida	DATE: Y.M.D 2016.5.26
NAME 4JH110-KMH50V-M-SHIF		

YANMAR
 YANMAR CO., LTD. DEVELOPMENT DIV.

REV. 1 REV. 2
 B2-29677-0060